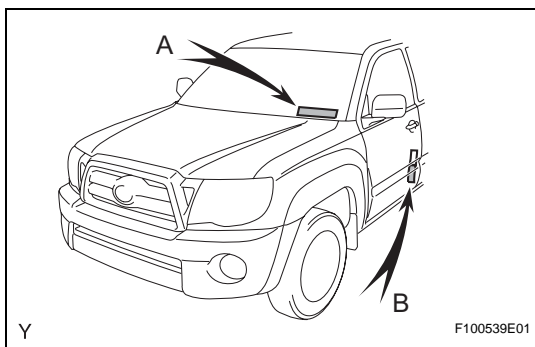


IN



## IDENTIFICATION INFORMATION

### VEHICLE IDENTIFICATION AND SERIAL NUMBERS

#### 1. VEHICLE IDENTIFICATION NUMBER

- (a) The vehicle identification number is stamped on the vehicle body and on the certification label, as shown in the illustration.

**A:**

**Vehicle Identification Number**

**B:**

**Certification Label**

#### 2. ENGINE SERIAL NUMBER AND TRANSMISSION SERIAL NUMBER

- (a) The engine serial number is stamped on the cylinder block of the engine and the transmission serial number is stamped on the housing as shown in the illustration.

**A:**

**Engine Serial Number**

**B:**

**Transmission Serial Number**

