

<b>DTC</b>	<b>P2102</b>	<b>Throttle Actuator Control Motor Circuit Low</b>
<b>DTC</b>	<b>P2103</b>	<b>Throttle Actuator Control Motor Circuit High</b>

## SYSTEM DESCRIPTION

The throttle actuator is operated by the ECM and opens and closes the throttle valve using gears. The opening angle of the throttle valve is detected by the Throttle Position (TP) sensor, which is mounted on the throttle body. The TP sensor provides feedback to the ECM. This feedback allows the ECM to appropriately control the throttle actuator and monitor the throttle opening angle as the ECM responds to driver inputs.

### HINT:

This ETCS (Electronic Throttle Control System) does not use a throttle cable.

DTC No.	DTC Detection Conditions	Trouble Areas
P2102	Conditions (a) and (b) continue for 2.0 seconds (1 trip detection logic) (a) Throttle actuator duty ratio 80 % or more (b) Throttle actuator current 0.5 A or less	<ul style="list-style-type: none"> <li>• Open in throttle actuator circuit</li> <li>• Throttle actuator</li> <li>• ECM</li> </ul>
P2103	Throttle actuator current 7 A or more for 0.6 seconds (1 trip detection logic)	<ul style="list-style-type: none"> <li>• Short in throttle actuator circuit</li> <li>• Throttle actuator</li> <li>• Throttle valve</li> <li>• Throttle body assembly</li> <li>• ECM</li> </ul>

## MONITOR DESCRIPTION

The ECM monitors the electrical current through the electronic actuator, and detects malfunctions and open circuits in the throttle actuator based on this value. If the current is outside the standard range, the ECM determines that there is a malfunction in the throttle actuator. In addition, if the throttle valve does not function properly (for example, stuck on), the ECM determines that there is a malfunction. The ECM then illuminates the MIL and sets a DTC.

### Example:

When the electrical current is more than 10 A, or less than 0.5 A and the throttle actuator duty ratio exceeds 80 %, the ECM interprets this as the current being outside the standard range, and illuminates the MIL and sets a DTC.

If the malfunction is not repaired successfully, a DTC is set when the engine is quickly revved to a high rpm several times after the engine has idled for 5 seconds after engine start.

## MONITOR STRATEGY

Related DTCs	P2102: Throttle actuator current (low current) P2103: Throttle actuator current (high current)
Required Sensors/Components (Main)	Throttle actuator (throttle body)
Required Sensors/Components (Related)	None
Frequency of Operation	Continuous
Duration	P2102: 2 seconds P2103: 0.1 seconds or 0.6 seconds
MIL Operation	Immediate
Sequence of Operation	None

## TYPICAL ENABLING CONDITIONS

Monitor runs whenever following DTCs not present	None
--	------

### P2102:

Electronic throttle actuator	ON
Electronic throttle actuator drive duty	80 % or more

Electronic throttle actuator power supply voltage	8 V or more
Motor current change during latest 0.016 sec	Less than 0.2 A

**P2103:**

Electronic throttle actuator	ON
Either of the following conditions 1 or 2 met:	-
1. Electronic throttle actuator power supply voltage	8 V or more
2. Electronic throttle actuator power	ON
Battery voltage	8 V or more
Starter	OFF

**TYPICAL MALFUNCTION THRESHOLDS**

ES

**P2102:**

Motor current	Less than 0.5 A
---------------	-----------------

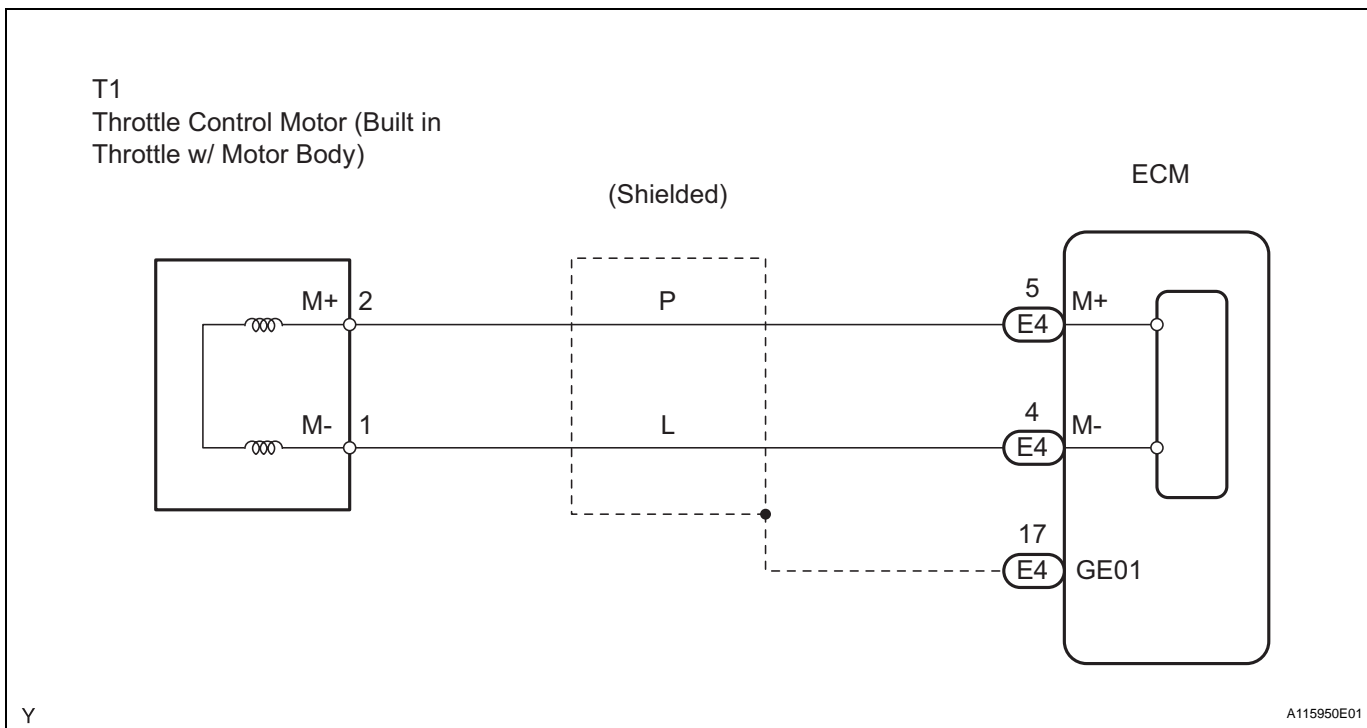
**P2103:**

Hybrid IC diagnosis signal	Fail
Hybrid IC current limiter port	Fail

**FAIL-SAFE**

When either of these DTCs, as well as other DTCs relating to ETCS (Electronic Throttle Control System) malfunctions, is set, the ECM enters fail-safe mode. During fail-safe mode, the ECM cuts the current to the throttle actuator off, and the throttle valve is returned to a 6° throttle angle by the return spring. The ECM then adjusts the engine output by controlling the fuel injection (intermittent fuel-cut) and ignition timing, in accordance with the accelerator pedal opening angle, to allow the vehicle to continue at a minimal speed. If the accelerator pedal is depressed firmly and gently, the vehicle can be driven slowly. Fail-safe mode continues until a pass condition is detected, and the ignition switch is then turned OFF.

**WIRING DIAGRAM**

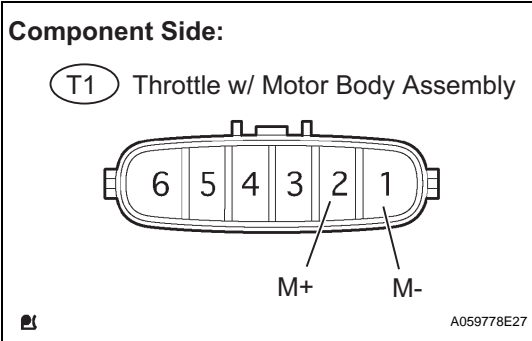


HINT:

- Read freeze frame data using an intelligent tester. Freeze frame data record the engine condition when malfunctions are detected. When troubleshooting, freeze frame data can help determine if the vehicle was moving or stationary, if the engine was warmed up or not, if the air-fuel ratio was lean or rich, and other data, from the time the malfunction occurred.
- The throttle actuator current (THROTTLE MOT) and the throttle actuator duty ratio (THROTTLE OPN / THROTTLE CLS) can be read using an intelligent tester. However the ECM shuts off the throttle actuator current when the ETCS malfunctions.

**1 INSPECT THROTTLE W/MOTOR BODY ASSEMBLY (RESISTANCE OF THROTTLE CONTROL MOTOR)**

ES



- (a) Disconnect the T1 throttle w/ motor body connector.  
 (b) Measure the resistance between the terminals of the throttle control motor.

**Standard Resistance**

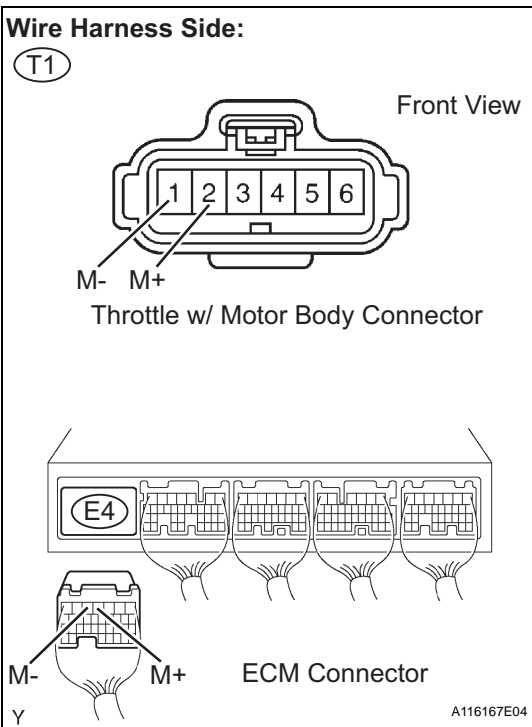
Tester Connections	Specified Conditions
M+ (T1-2) - M- (T1-1)	0.3 to 100 Ω at 20°C (68°F)

- (c) Reconnect the throttle w/ motor body connector.

**NG** → **REPLACE THROTTLE W/MOTOR BODY ASSEMBLY**

OK

**2 CHECK HARNESS AND CONNECTOR (THROTTLE CONTROL MOTOR - ECM)**



- (a) Disconnect the T1 throttle w/ motor body connector.  
 (b) Disconnect the E4 ECM connector.  
 (c) Check the resistance.

**Standard Resistance (Check for open)**

Tester Connections	Specified Conditions
M+ (T1-2) - M+ (E4-5)	Below 1 Ω
M- (T1-1) - M- (E4-4)	

**Standard Resistance (Check for short)**

Tester Connections	Specified Conditions
M+ (T1-2) or M+ (E4-5) - Body ground	10 kΩ or higher
M- (T1-1) or M- (E4-4) - Body ground	

- (d) Reconnect the throttle w/ motor body connector.  
 (e) Reconnect the ECM connector.

**NG** → **REPAIR OR REPLACE HARNESS OR CONNECTOR**

OK

**3 INSPECT THROTTLE W/MOTOR BODY ASSEMBLY**

(a) Check for foreign objects between the throttle valve and the housing.

**NG** → **REMOVE FOREIGN OBJECT AND CLEAN THROTTLE BODY**

**OK**

**4 INSPECT THROTTLE VALVE**

(a) Check if the throttle valve opens and closes smoothly.

**NG** → **REPLACE THROTTLE W/MOTOR BODY ASSEMBLY**

**OK**

**REPLACE ECM**

**ES**