

DTC**P0560****System Voltage****MONITOR DESCRIPTION**

The battery supplies electricity to the ECM even when the ignition switch is in the OFF position. This power allows the ECM to store data such as DTC history, freeze frame data and fuel trim values. If the battery voltage falls below a minimum level, these memories are cleared and the ECM determines that there is a malfunction in the power supply circuit. When the engine is next started, the ECM illuminates the MIL and sets the DTC.

DTC No.	DTC Detection Conditions	Trouble Areas
P0560	Open in ECM back up power source circuit (1 trip detection logic)	<ul style="list-style-type: none"> • Open in back up power source circuit • EFI fuse • ECM

HINT:

If DTC P0560 is set, the ECM does not store other DTCs.

MONITOR STRATEGY

Related DTCs	P0560: ECM system voltage
Required Sensors/Components (Main)	ECM
Required Sensors/Components (Related)	-
Frequency of Operation	Continuous
Duration	3 seconds
MIL Operation	Immediate (MIL illuminated after next engine start)
Sequence of Operation	None

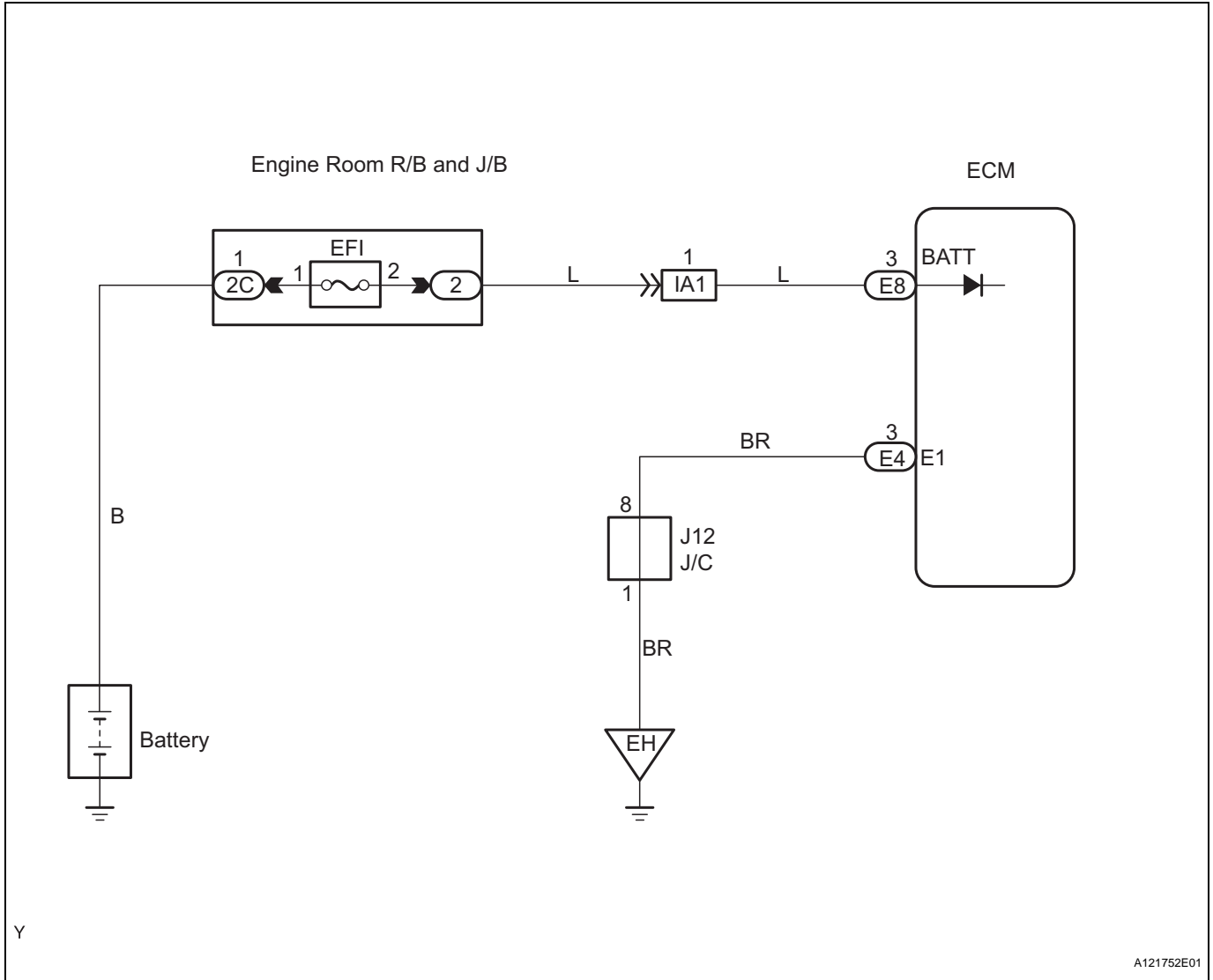
TYPICAL ENABLING CONDITIONS

Monitor runs whenever following DTCs not present	None
--	------

TYPICAL MALFUNCTION THRESHOLDS

ECM power source	Less than 3.5 V
------------------	-----------------

WIRING DIAGRAM

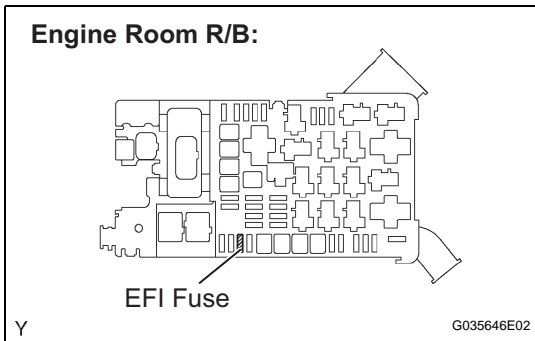


ES

HINT:

Read freeze frame data using an intelligent tester. Freeze frame data record the engine condition when malfunctions are detected. When troubleshooting, freeze frame data can help determine if the vehicle was moving or stationary, if the engine was warmed up or not, if the air-fuel ratio was lean or rich, and other data, from the time the malfunction occurred.

1 CHECK FUSE (EFI FUSE)

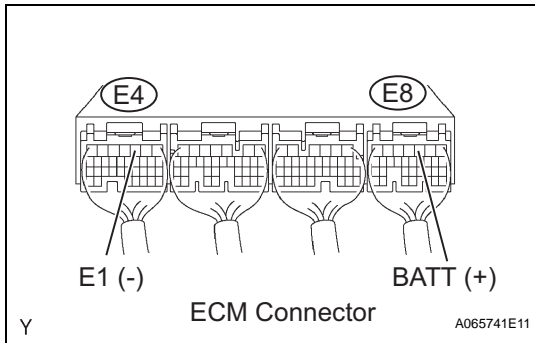


- (a) Remove the EFI fuse from the engine room R/B.
- (b) Check the resistance.
Standard Resistance:
Below 1 Ω
- (c) Reinstall the EFI fuse.

NG **CHECK CHECK FOR SHORTS IN ALL HARNESSES AND CONNECTORS CONNECTED TO FUSE AND REPLACE FUSE**

OK

2 INSPECT ECM (BATT VOLTAGE)



(a) Measure the voltage between the terminals of the ECM connectors.

Standard Voltage

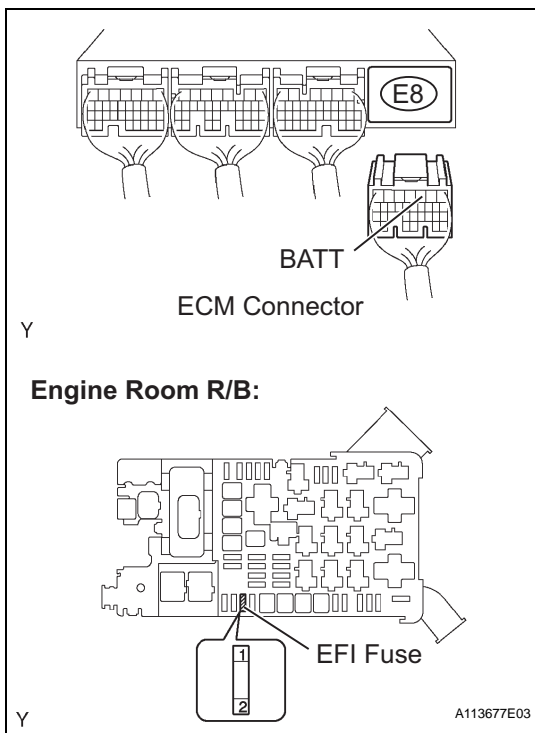
Tester Connections	Specified Conditions
BATT (E8-3) - E1 (E4-3)	9 to 14 V

OK **REPLACE ECM**

ES

NG

3 CHECK HARNESS AND CONNECTOR (ECM - EFI FUSE, EFI FUSE - BATTERY)



(a) Check the harness and the connector between the EFI fuse and ECM.

- (1) Remove the EFI fuse from the engine room R/B.
- (2) Disconnect the E8 ECM connector.
- (3) Check the resistance.

Standard Resistance (Check for open)

Tester Connections	Specified Conditions
EFI fuse (2) - BATT (E8-3)	Below 1 Ω

Standard Resistance (Check for short)

Tester Connections	Specified Conditions
EFI fuse (2) or BATT (E8-3) - Body ground	10 kΩ or higher

- (4) Reconnect the ECM connector.
- (5) Reinstall the EFI fuse.

(b) Check the harness and the connector between the EFI fuse and battery.

- (1) Remove the EFI fuse from the engine room R/B.
- (2) Disconnect the positive battery terminal.
- (3) Check the resistance.

Standard Resistance (Check for open)

Tester Connections	Specified Conditions
Battery positive terminal - EFI fuse (1)	Below 1 Ω

Standard Resistance (Check for short)

Tester Connections	Specified Conditions
Battery positive terminal or EFI fuse (1) - Body ground	10 kΩ or higher

- (4) Reconnect the positive battery terminal.
- (5) Reinstall the EFI fuse.

NG

REPAIR OR REPLACE HARNESS OR CONNECTOR

OK

4

INSPECT BATTERY

(a) Check that the battery is not depleted.

NG

REPLACE BATTERY

OK

CHECK AND REPLACE ENGINE ROOM RELAY BLOCK ASSEMBLY

ES