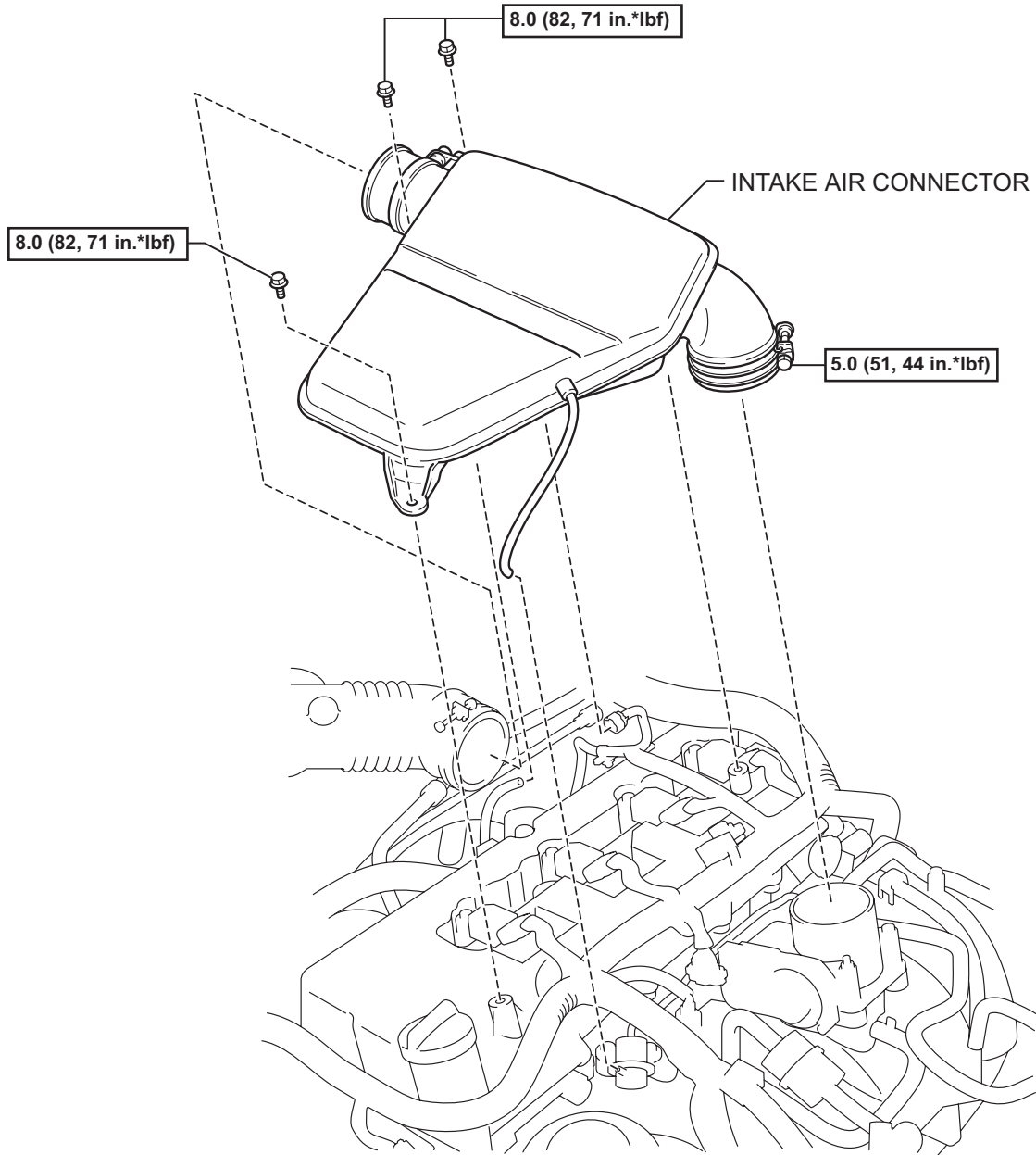


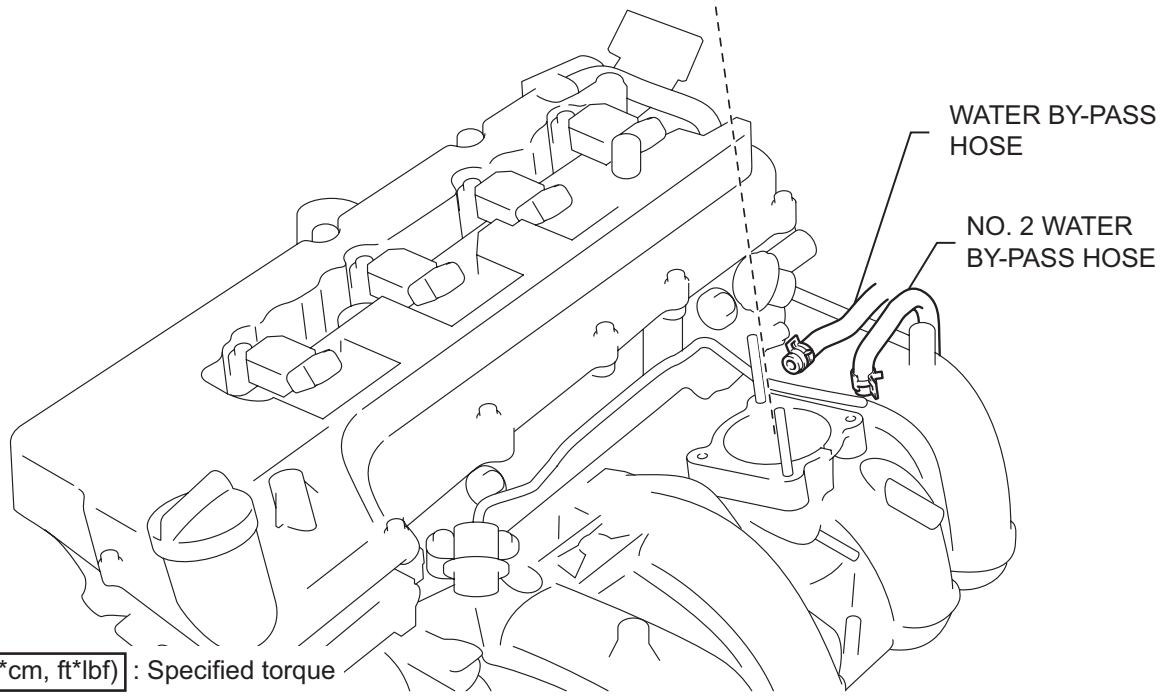
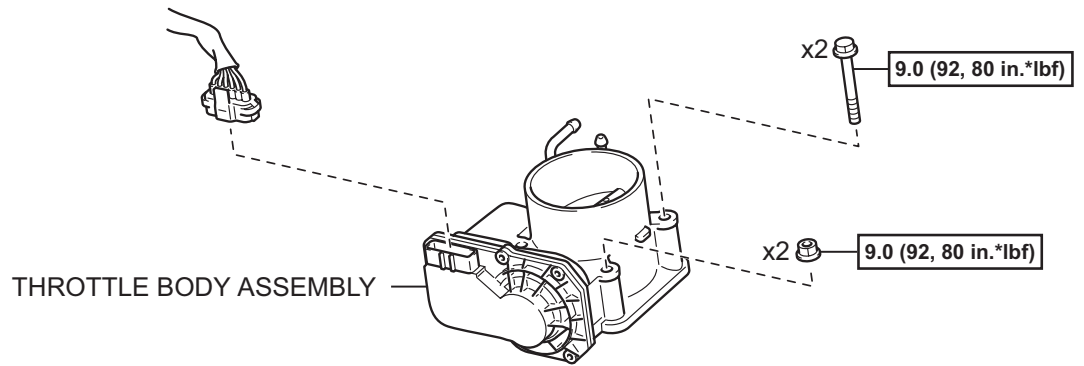
THROTTLE BODY

COMPONENTS



N*m (kgf*cm, ft*lbf) : Specified torque

ES



N*m (kgf*cm, ft*lbf) : Specified torque

● Non-reusable part