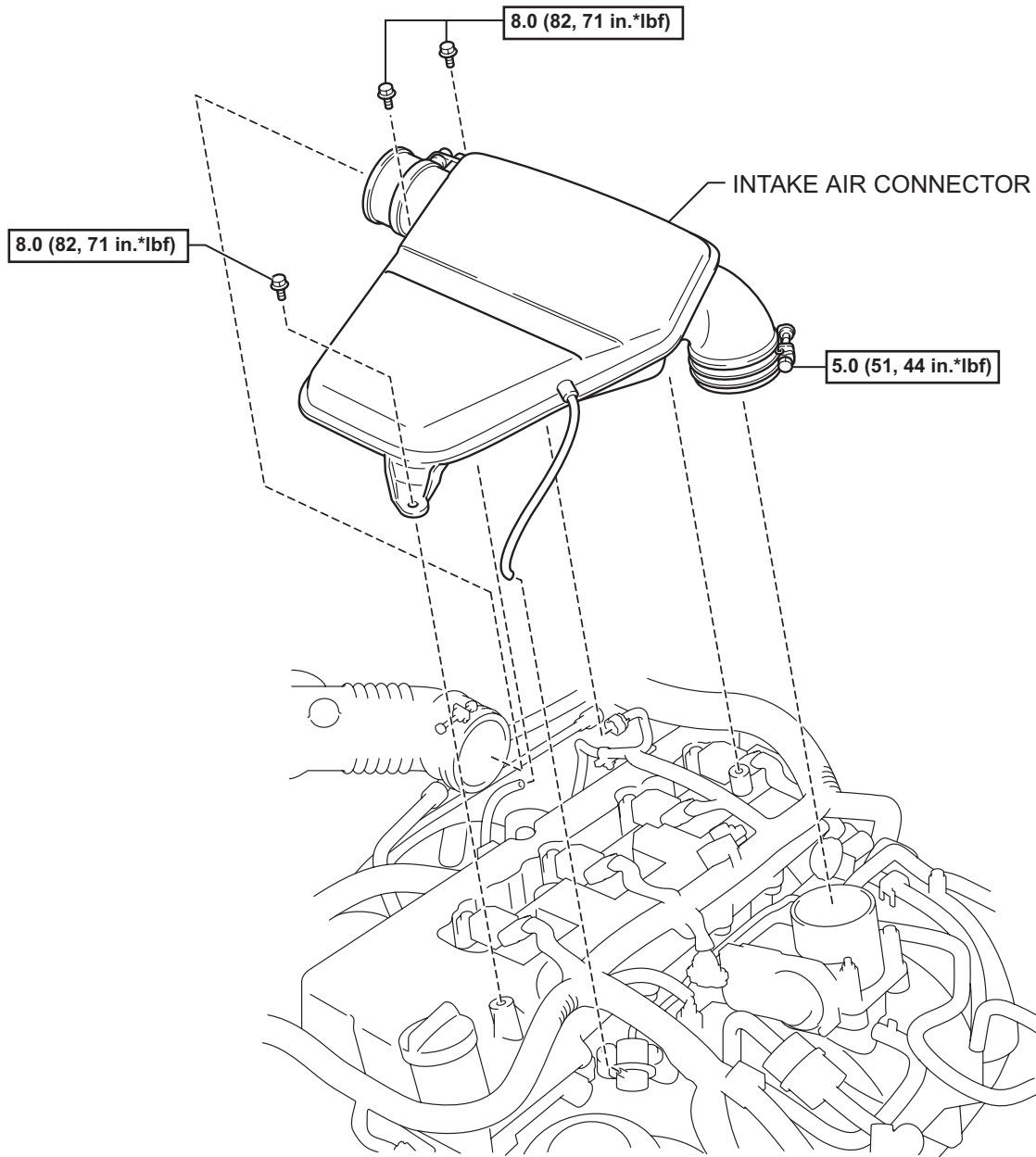


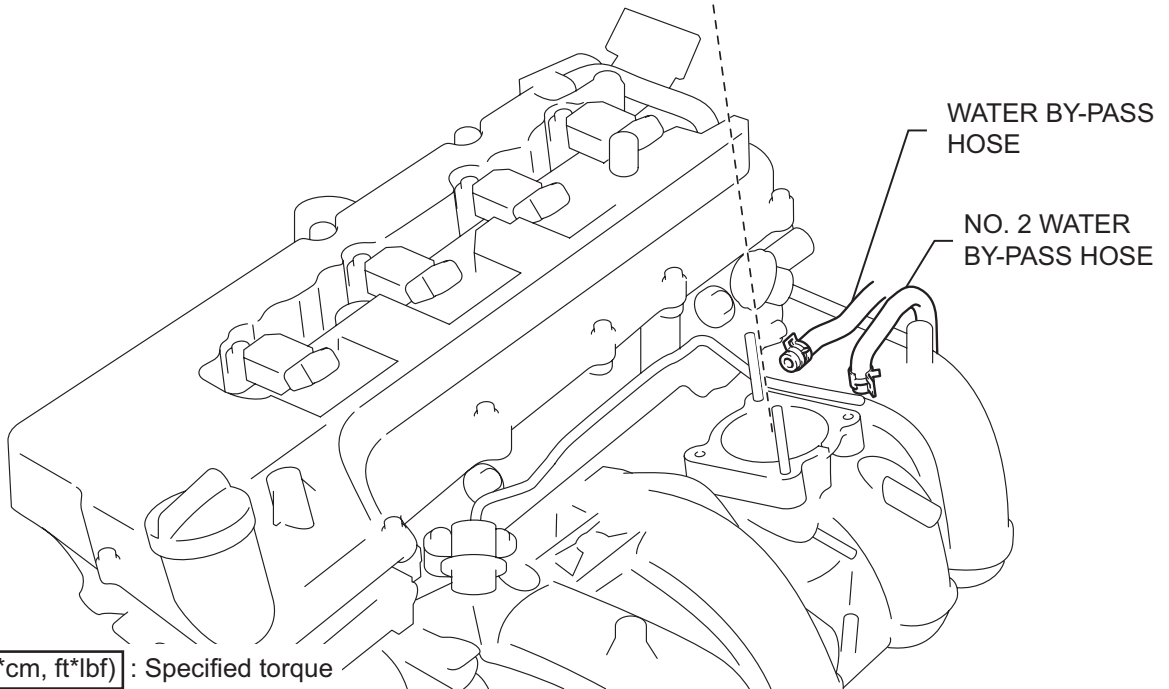
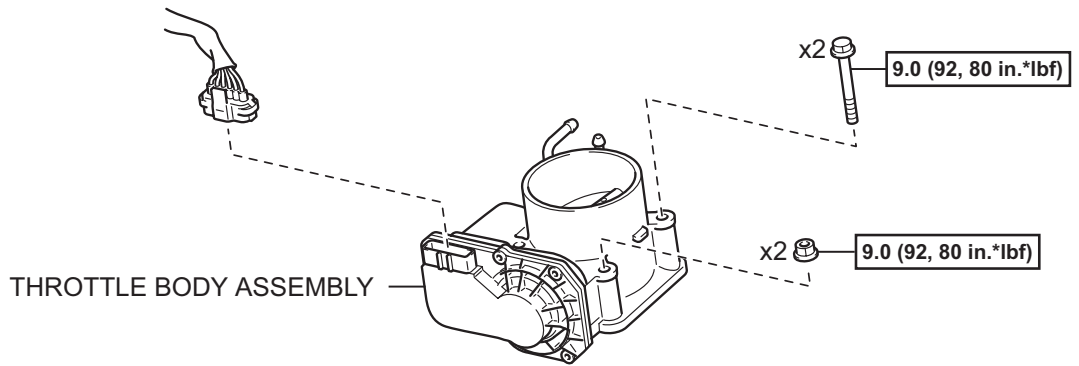
# KNOCK SENSOR

## COMPONENTS

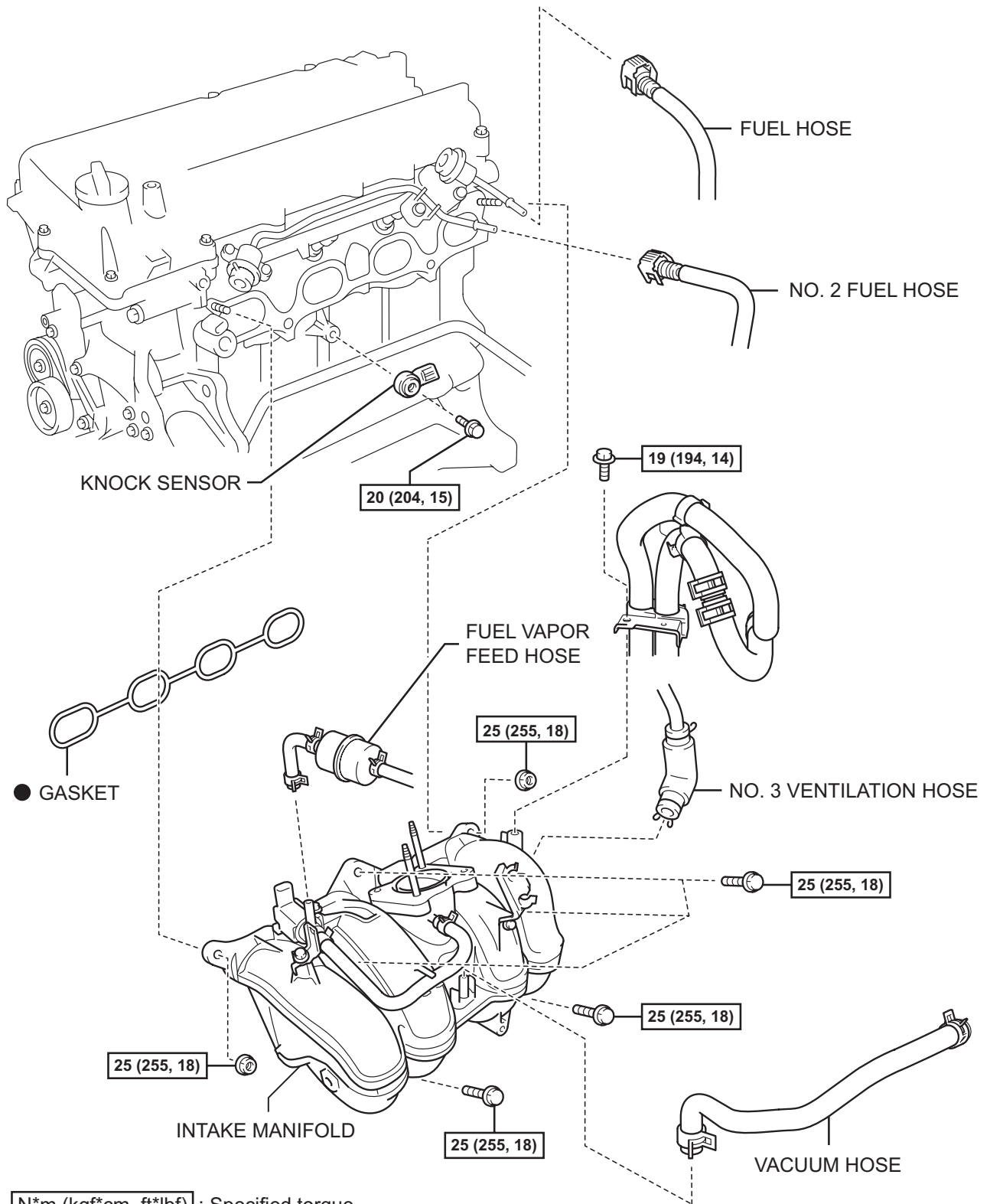


**N\*m (kgf\*cm, ft\*lbf)** : Specified torque

ES



● Non-reusable part



**N\*m (kgf\*cm, ft\*lbf)** : Specified torque

● Non-reusable part