

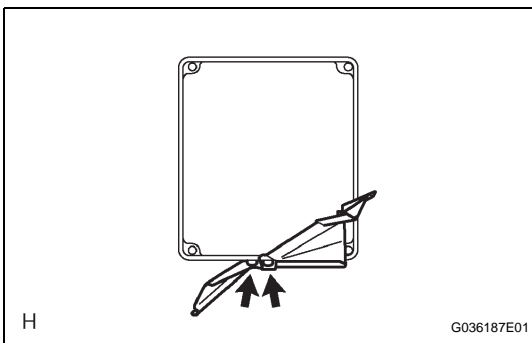
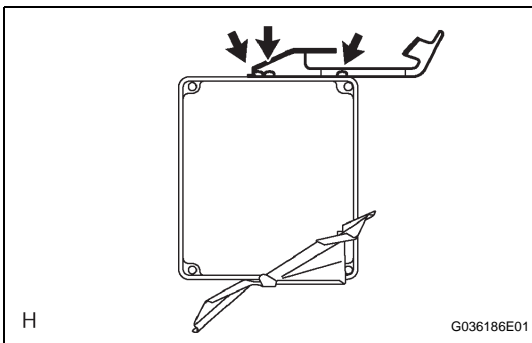
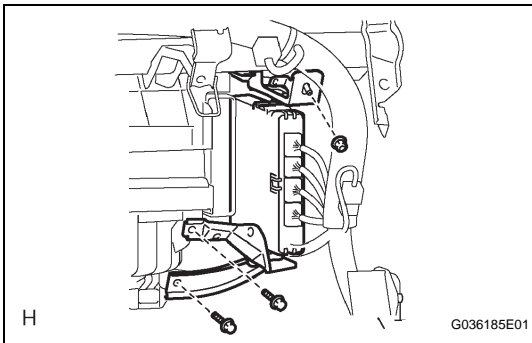
ECM

REMOVAL

NOTICE:

Perform REGISTRATION (VIN registration) when replacing the ECM (see page [ES-16](#)).

1. DISCONNECT CABLE FROM NEGATIVE BATTERY TERMINAL
2. REMOVE GLOVE COMPARTMENT DOOR ASSEMBLY (See page [IP-13](#))
3. REMOVE INSTRUMENT PANEL FINISH PANEL SUB-ASSEMBLY LOWER RH (See page [IP-14](#))
4. REMOVE ECM
 - (a) Disconnect the 4 connectors.
 - (b) Remove the 2 bolts and nut, then remove the ECM.

ES


5. REMOVE ECM BRACKET
 - (a) Remove the 3 screws, then remove the ECM bracket.
6. REMOVE ECM BRACKET NO.2
 - (a) Remove the 2 screws, then remove the ECM bracket No. 2.

INSTALLATION

1. **INSTALL ECM BRACKET NO.2**
Torque: 3 N*m (32 kgf*cm, 28 in.*lbf)
2. **INSTALL ECM BRACKET**
Torque: 3 N*m (32 kgf*cm, 28 in.*lbf)
3. **INSTALL ECM**
Torque: 5 N*m (51 kgf*cm, 44 in.*lbf)
4. **INSTALL INSTRUMENT PANEL FINISH PANEL SUB-ASSEMBLY LOWER RH** (See page [IP-20](#))
5. **INSTALL GLOVE COMPARTMENT DOOR ASSEMBLY**
(See page [IP-20](#))
6. **CONNECT CABLE TO NEGATIVE BATTERY TERMINAL**
Torque: 3.9 N*m (40 kgf*cm, 35 in.*lbf)