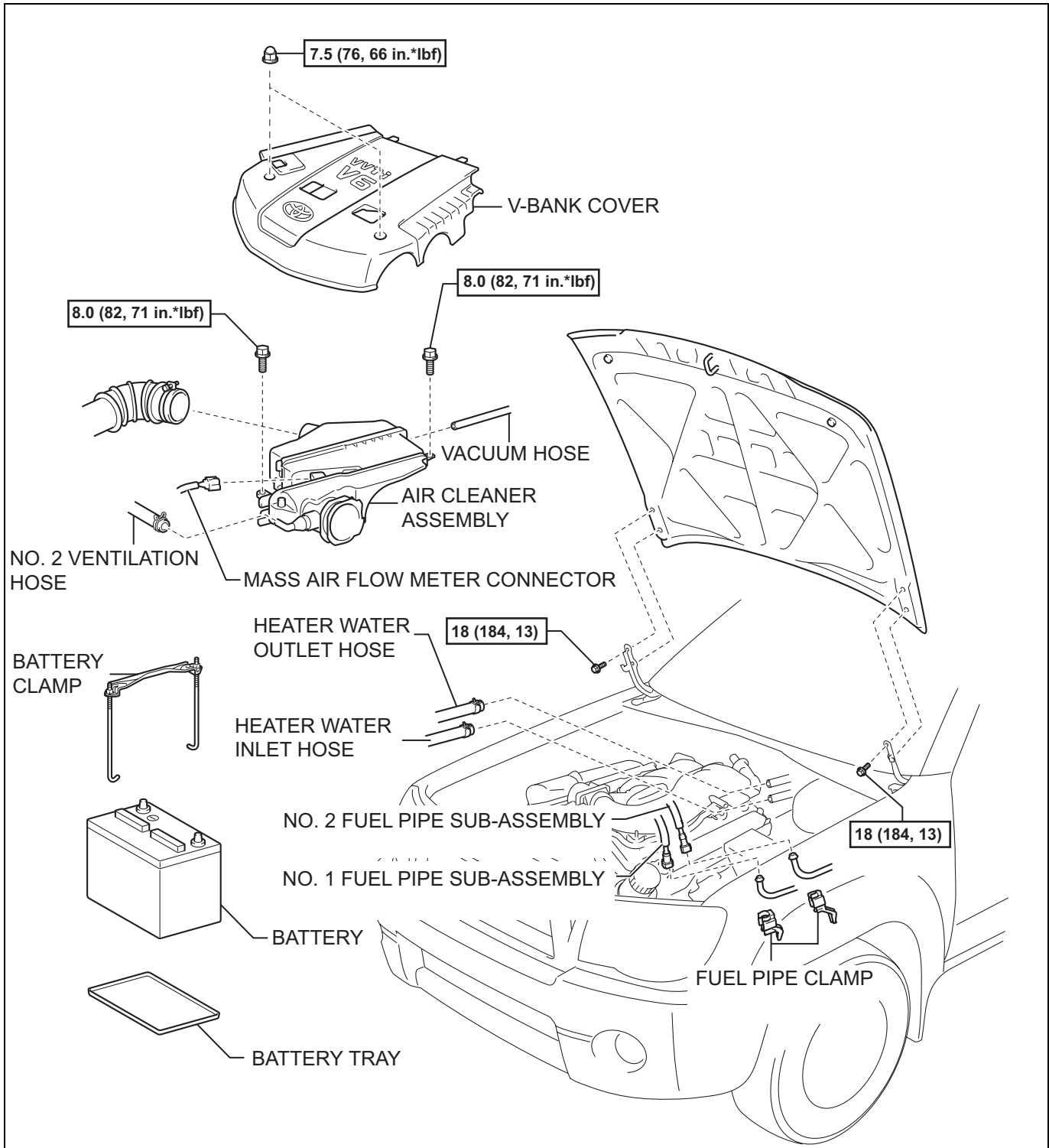


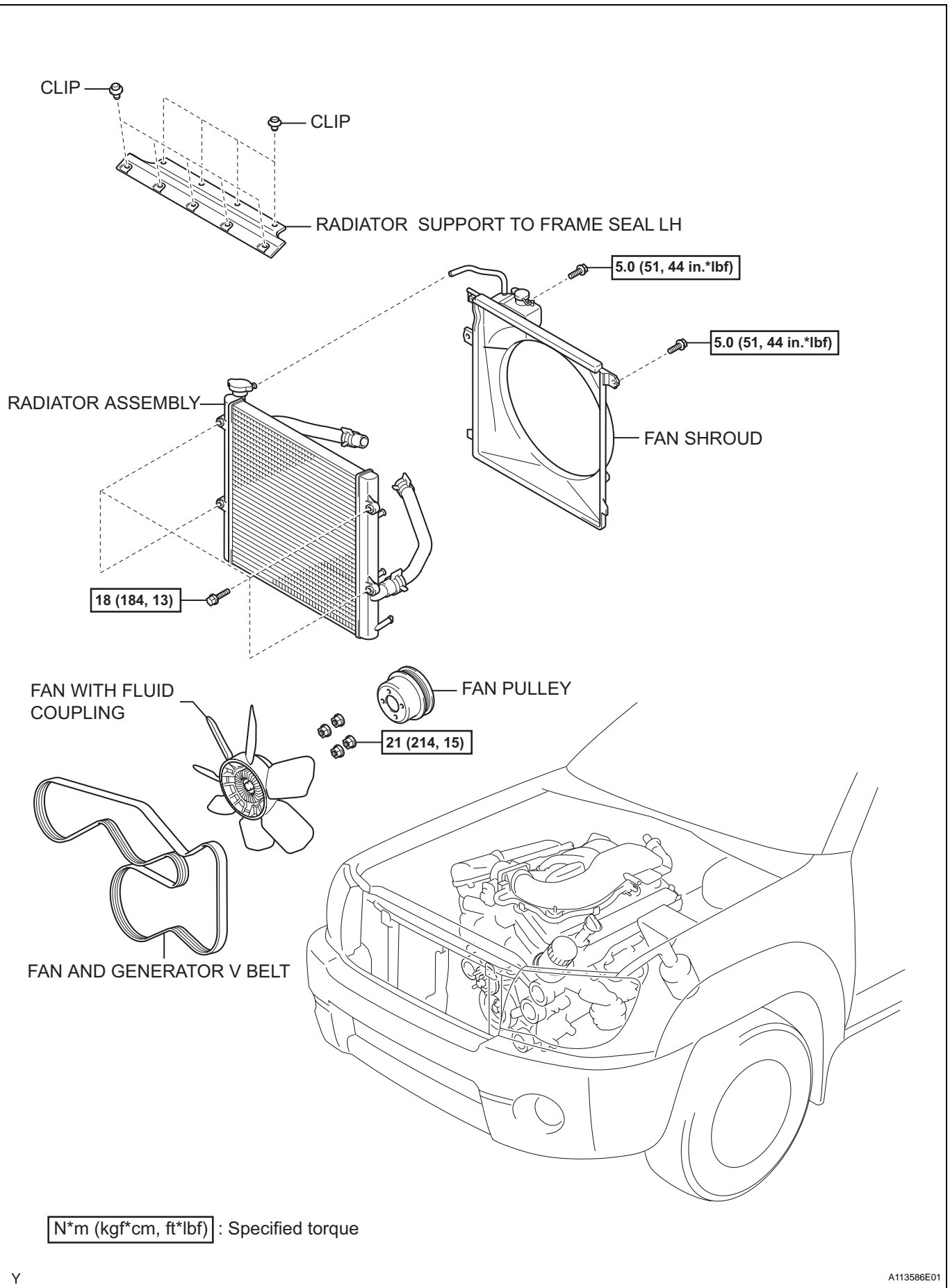
TIMING CHAIN (for 2WD)

COMPONENTS



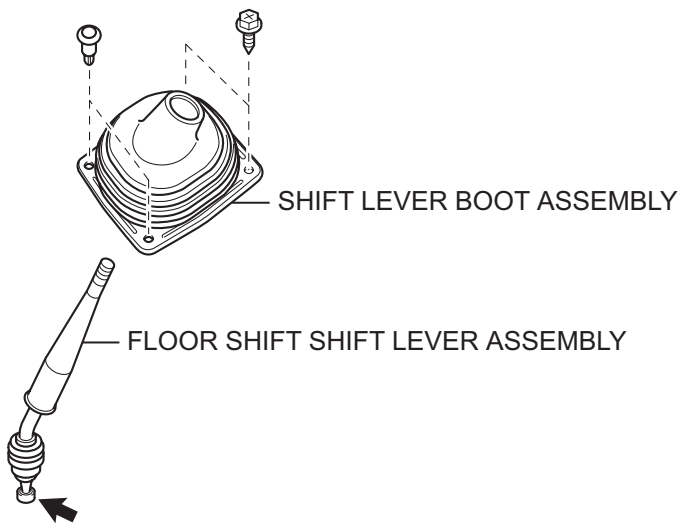
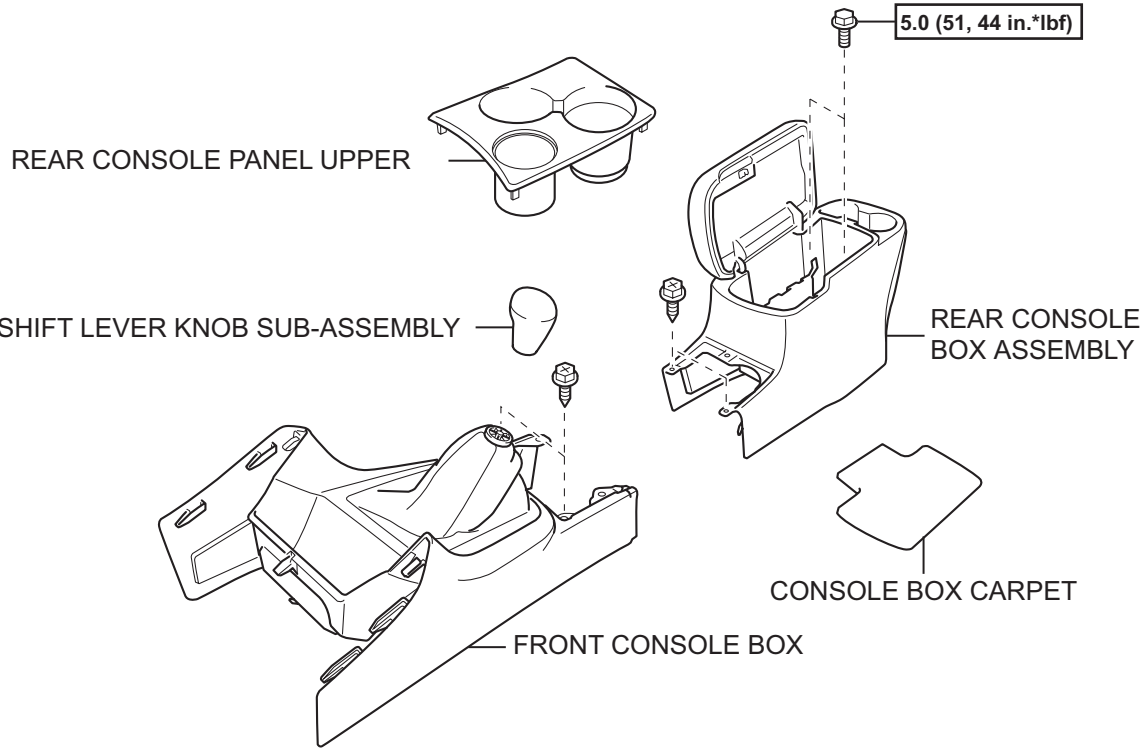
EM

N*m (kgf*cm, ft*lbf) : Specified torque



EM

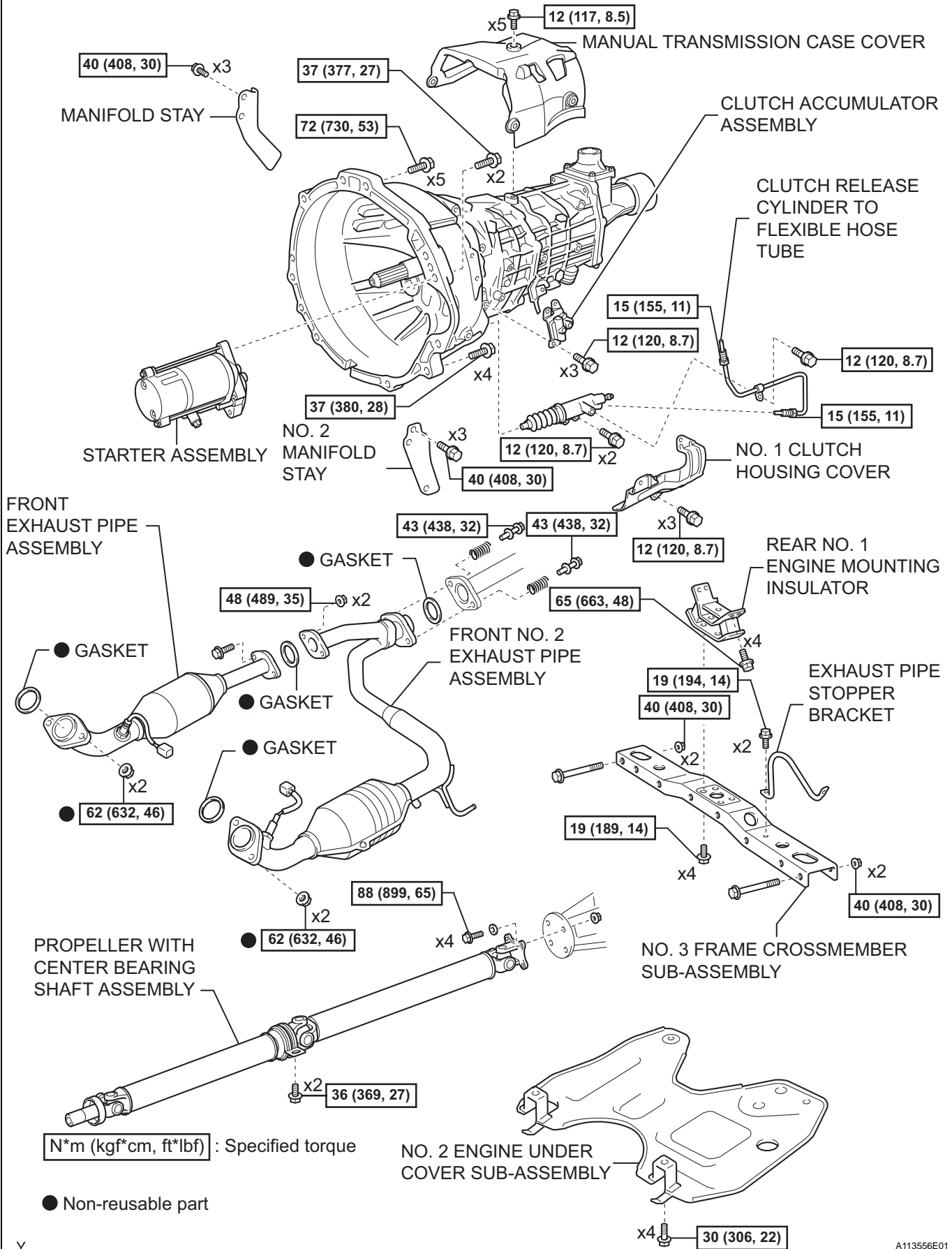
EM



N*m (kgf*cm, ft*lbf) : Specified torque ← MP grease

Y

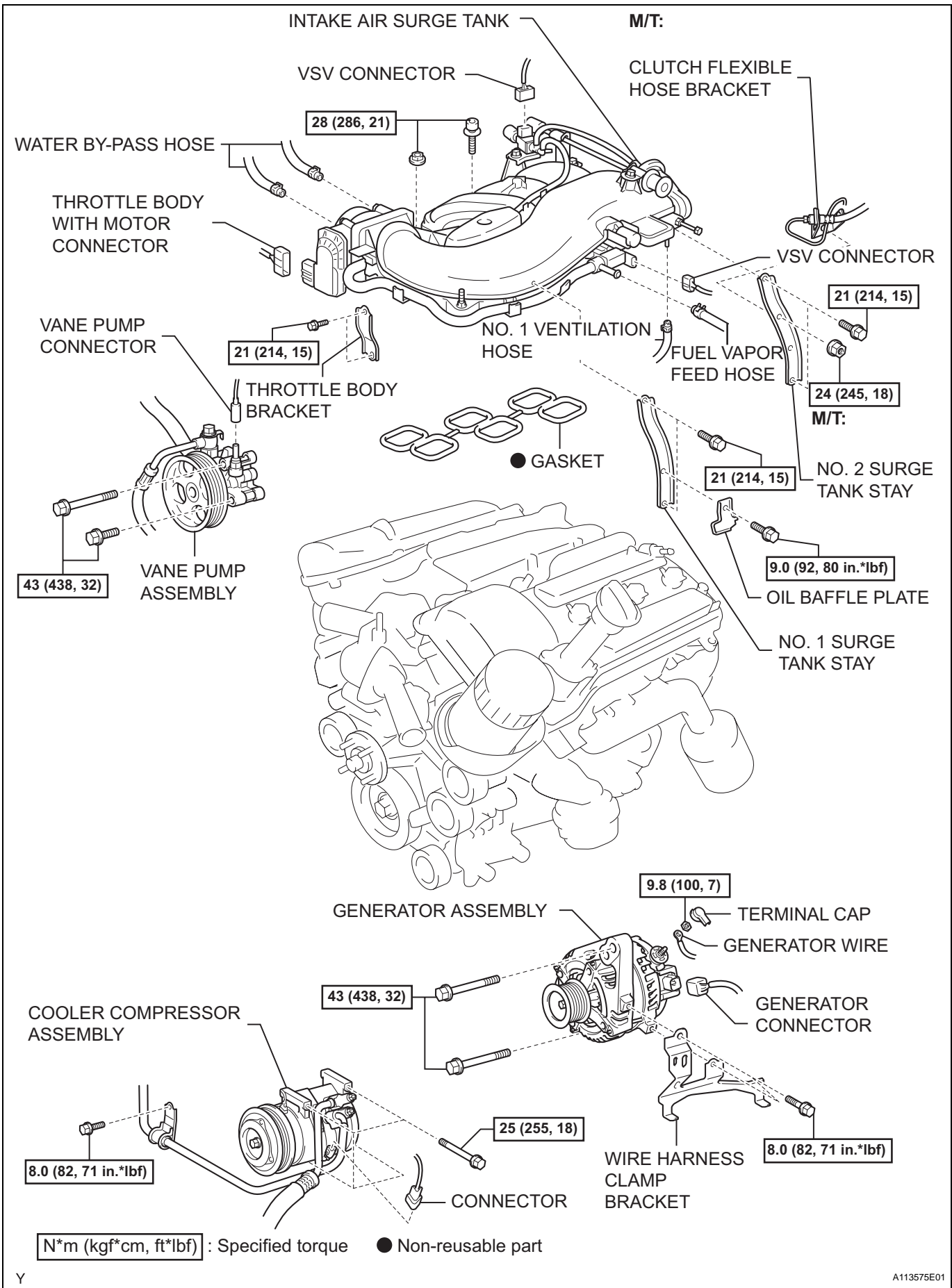
2WD AND PRE RUNNER, MANUAL TRANSMISSION:

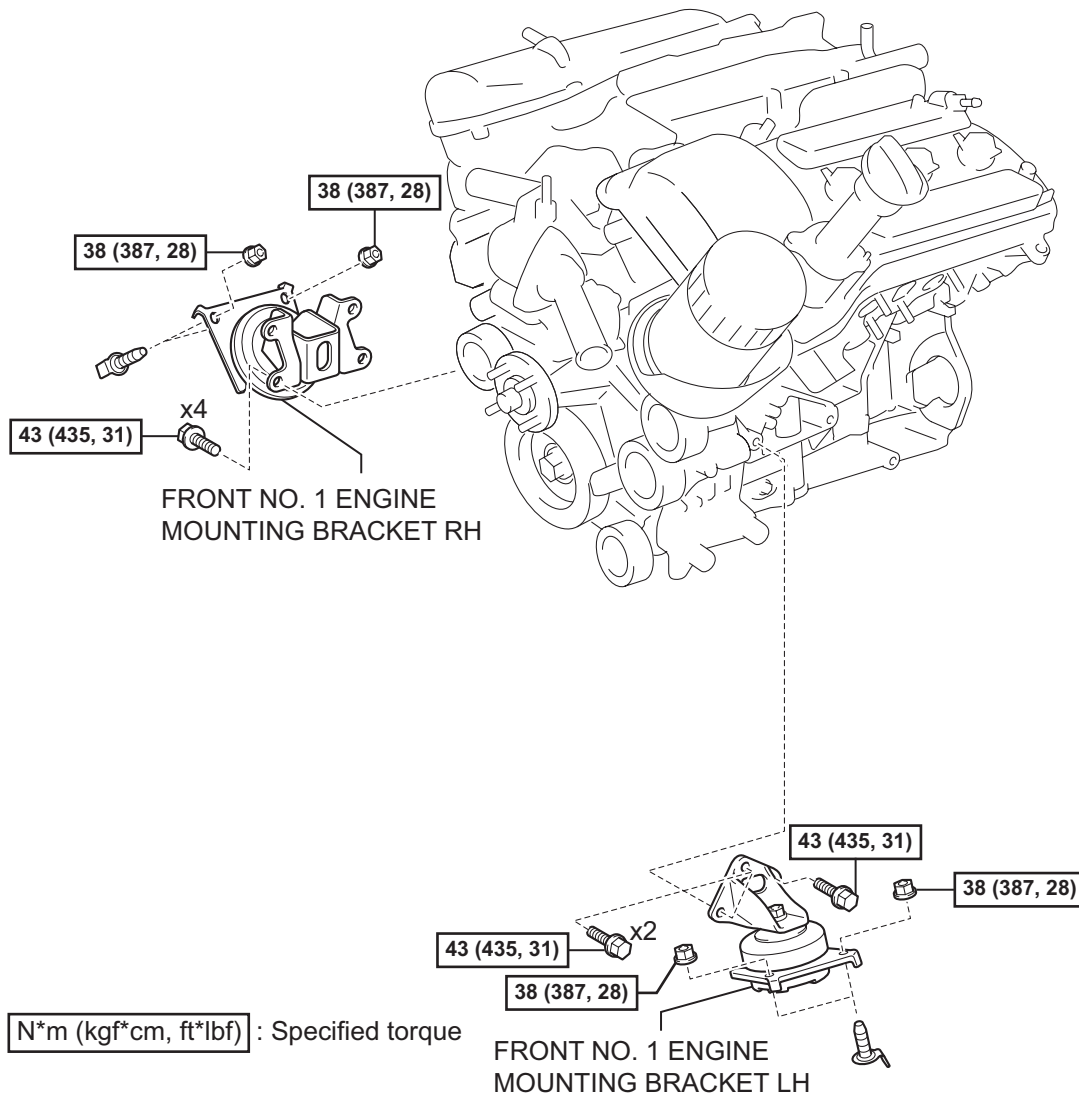


EM

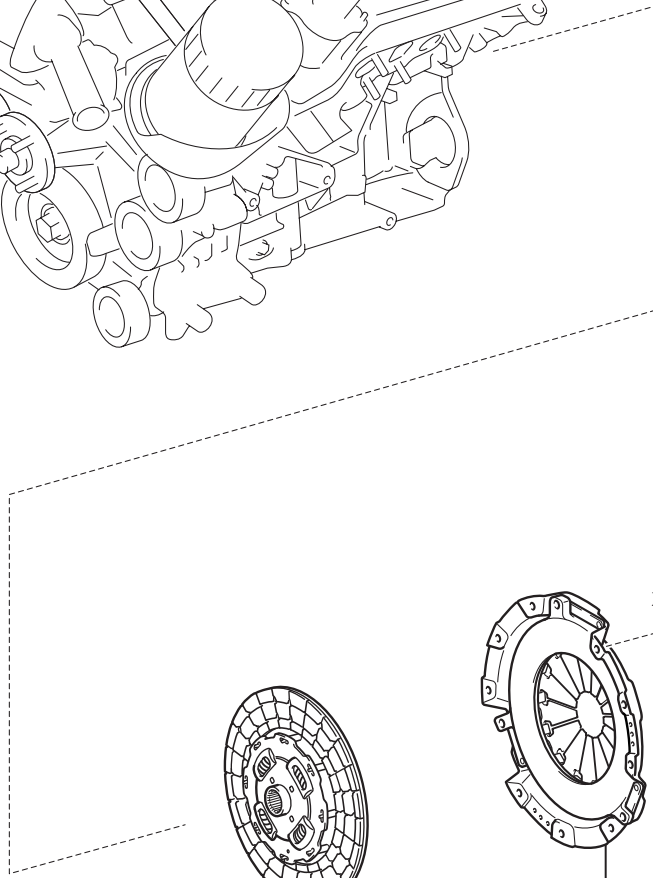
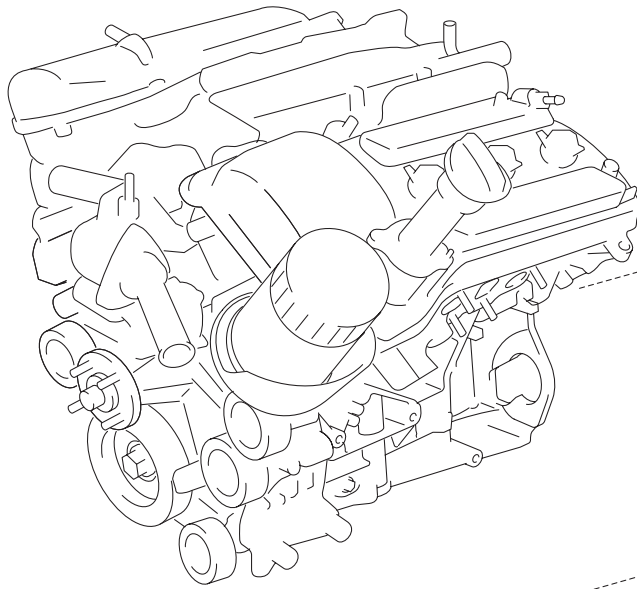
Y

A113556E01





EM

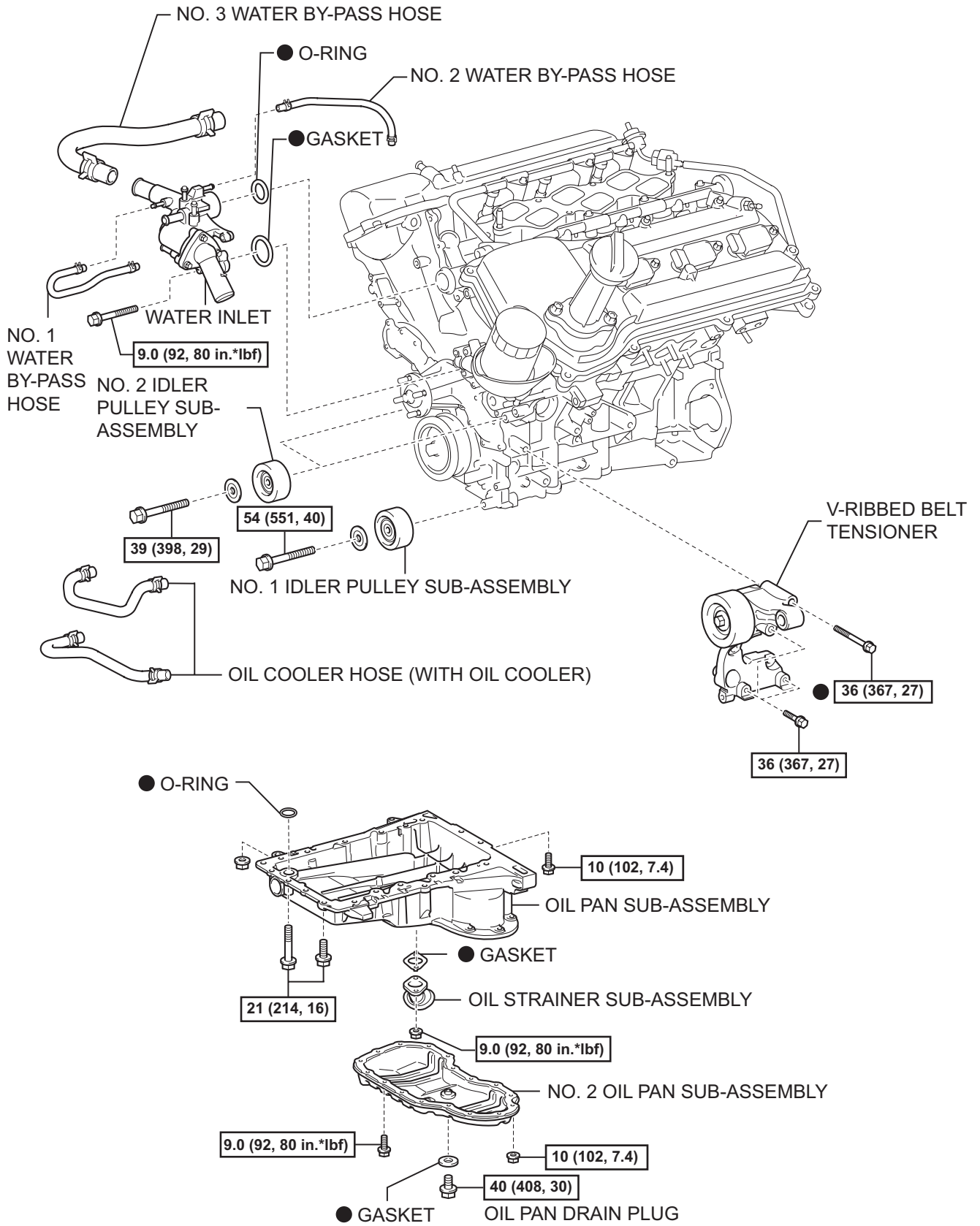


x6 19 (195, 14)

CLUTCH DISK ASSEMBLY

CLUTCH COVER ASSEMBLY

N*m (kgf*cm, ft*lbf) : Specified torque



N*m (kgf*cm, ft*lbf) : Specified torque ● Non-reusable part

TIMING CHAIN OR BELT COVER SUB-ASSEMBLY

23 (235, 17) x9

23 (235, 17) x15

x2

23 (235, 17)

CRANKSHAFT PULLEY

250 (2,549, 184)

● TIMING GEAR CASE OR TIMING CHAIN CASE OIL SEAL

NO.2 CHAIN VIBRATION DAMPER

NO. 1 CHAIN TENSIONER ASSEMBLY

10 (102, 7.4)

CHAIN TENSIONER SLIPPER

CHAIN SUB-ASSEMBLY

NO. 1 IDLE GEAR SHAFT

● O-RING

NO. 1 IDLE GEAR

60 (612, 44)

NO.2 IDLE GEAR SHAFT

N*m (kgf*cm, ft*lbf) : Specified torque

● Non-reusable part

◀ Apply MP grease

EM

