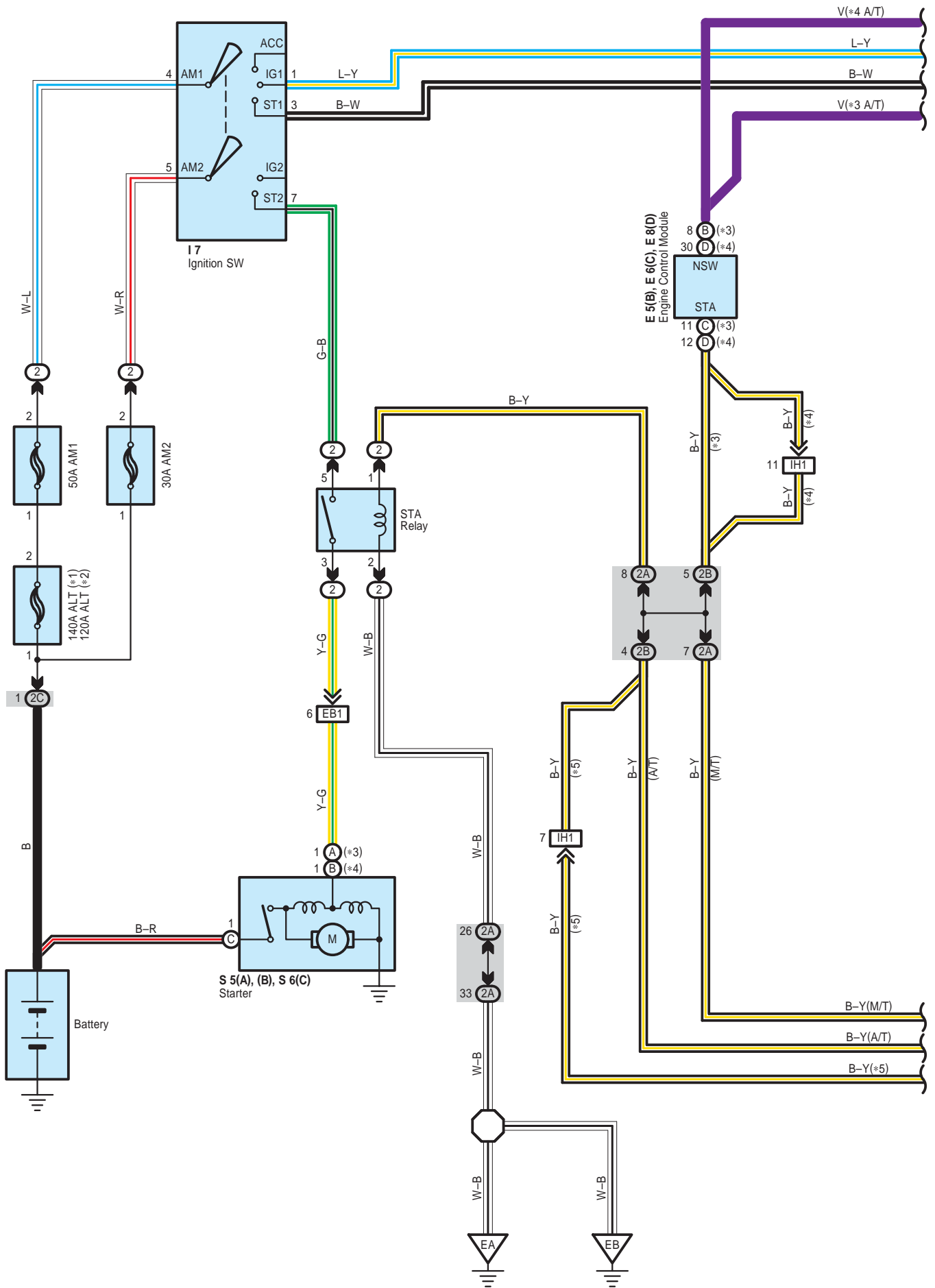
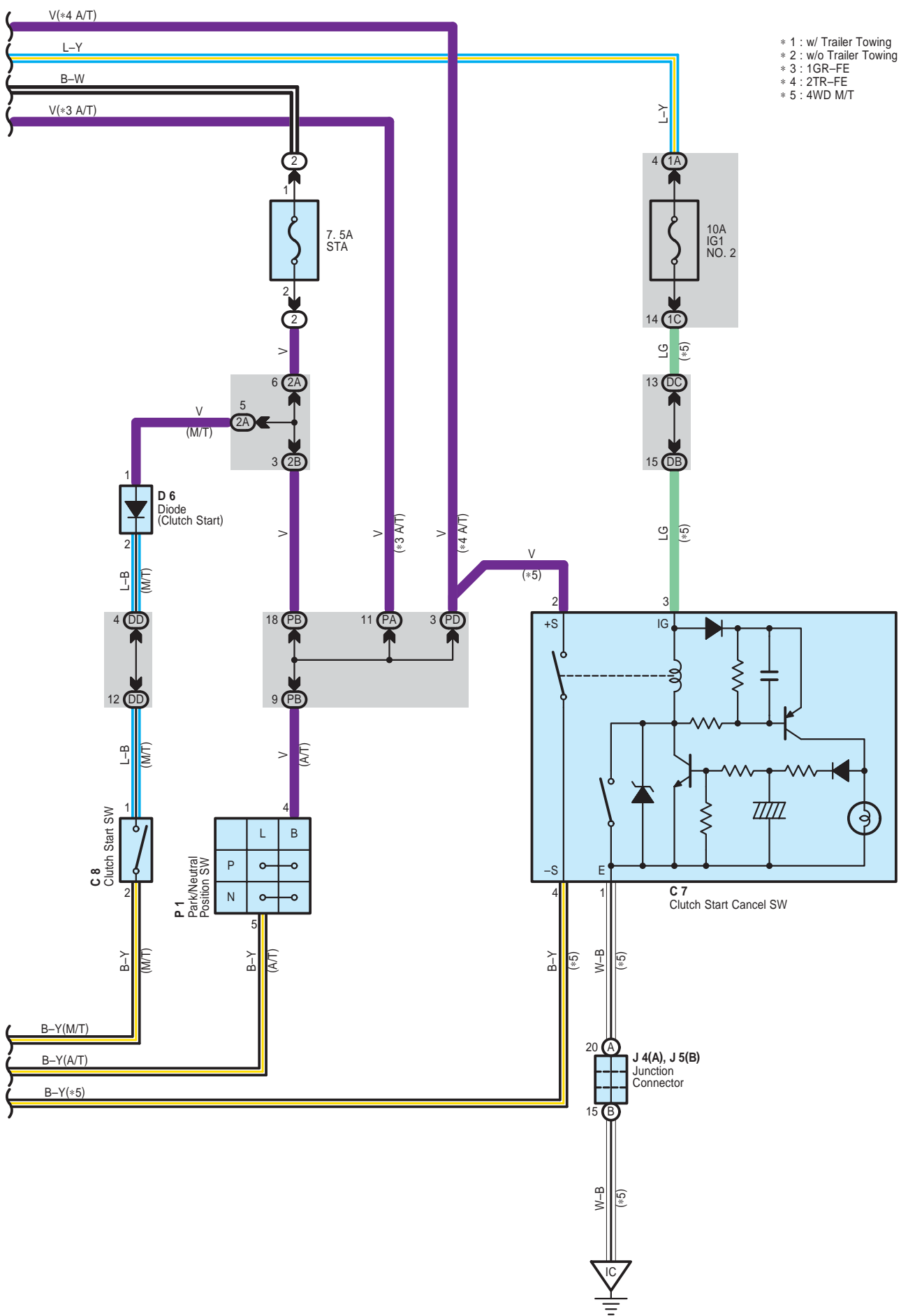


Starting





Starting

○ : Parts Location

Code	See Page	Code	See Page	Code	See Page			
C7	44	E8	D	44	P1	43 (2TR-FE)		
C8	44	I7		45	S5	A	41 (1GR-FE)	
D6	44	J4	A	45		B	43 (2TR-FE)	
E5	B	44	J5	B	45	S6	C	41 (1GR-FE)
E6	C	44	P1		41 (1GR-FE)		C	43 (2TR-FE)

○ : Relay Blocks

Code	See Page	Relay Blocks (Relay Block Location)
2	24	Engine Room R/B (Engine Compartment Left)

○ : Junction Block and Wire Harness Connector

Code	See Page	Junction Block and Wire Harness (Connector Location)
1A	28	Engine Room Main Wire and Driver Side J/B (Lower Finish Panel)
1C		
2A	24	Engine Room J/B and
2B	24	Engine Wire and Engine Room J/B (Engine Compartment Left)
2C	24	Engine Room Main Wire and Engine Room J/B (Engine Compartment Left)
DB	34	Instrument Panel Wire and Instrument Panel J/B No.1 (Left Kick Panel)
DC	34	Engine Room Main Wire and Instrument Panel J/B No.1 (Left Kick Panel)
DD		
PA	36	Engine Wire and Instrument Panel J/B No.2 (Right Side of Glove Box)
PB		
PD	36	Instrument Panel Wire and Instrument Panel J/B No.2 (Right Side of Glove Box)

□ : Connector Joining Wire Harness and Wire Harness

Code	See Page	Joining Wire Harness and Wire Harness (Connector Location)
EB1	52 (1GR-FE)	Engine No.2 Wire and Engine Room Main Wire (Inside of Engine Room R/B)
	53 (2TR-FE)	
IH1	55	Engine Wire and Instrument Panel Wire (Right Side of Glove Box)

▽ : Ground Points

Code	See Page	Ground Points Location
EA	52 (1GR-FE)	Front Right Fender
	53 (2TR-FE)	
EB	52 (1GR-FE)	Front Left Fender
	53 (2TR-FE)	
IC	54	Instrument Panel Brace RH

