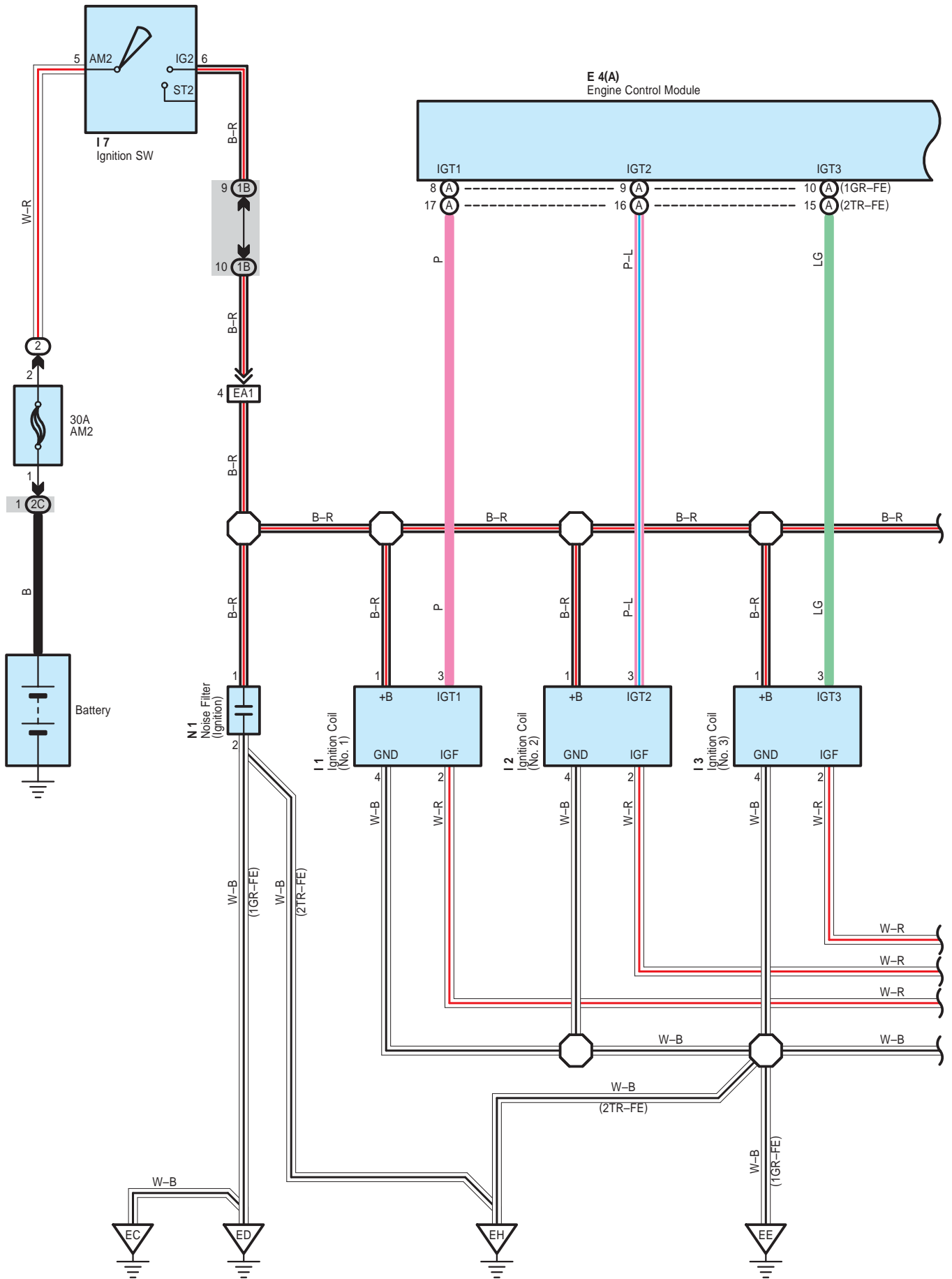


Ignition



Ignition

○ : Parts Location

Code	See Page	Code	See Page	Code	See Page	
E4	A	44		I6	41 (1GR-FE)	
I1		41 (1GR-FE)	I3	41 (1GR-FE)	41 (1GR-FE)	
		43 (2TR-FE)		43 (2TR-FE)	I7	45
I2		41 (1GR-FE)	I4	41 (1GR-FE)	J12	45
		43 (2TR-FE)		43 (2TR-FE)	N1	41 (1GR-FE)
		I5	41 (1GR-FE)	43 (2TR-FE)		

○ : Relay Blocks

Code	See Page	Relay Blocks (Relay Block Location)
2	24	Engine Room R/B (Engine Compartment Left)

○ : Junction Block and Wire Harness Connector

Code	See Page	Junction Block and Wire Harness (Connector Location)
1B	28	Engine Room Main Wire and Driver Side J/B (Lower Finish Panel)
2C	24	Engine Room Main Wire and Engine Room J/B (Engine Compartment Left)

□ : Connector Joining Wire Harness and Wire Harness

Code	See Page	Joining Wire Harness and Wire Harness (Connector Location)
EA1	52 (1GR-FE)	Engine Wire and Engine Room Main Wire (Inside of Engine Room R/B)
	53 (2TR-FE)	

▽ : Ground Points

Code	See Page	Ground Points Location
EC	52 (1GR-FE)	Near the Front Differential
ED	52 (1GR-FE)	Rear Side of Right Bank Cylinder Block
EE		
EH	53 (2TR-FE)	Rear Side of Cylinder Block

