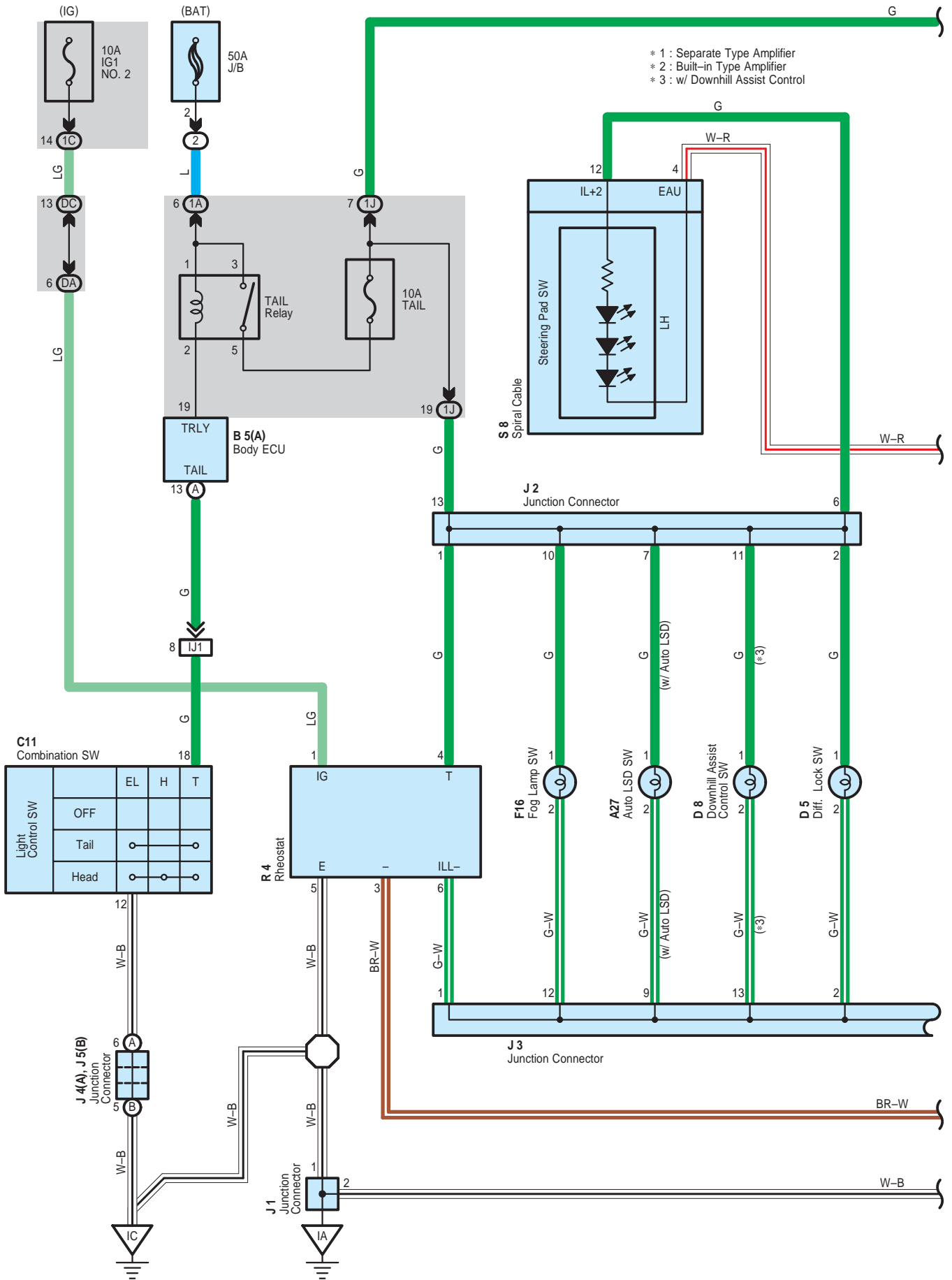
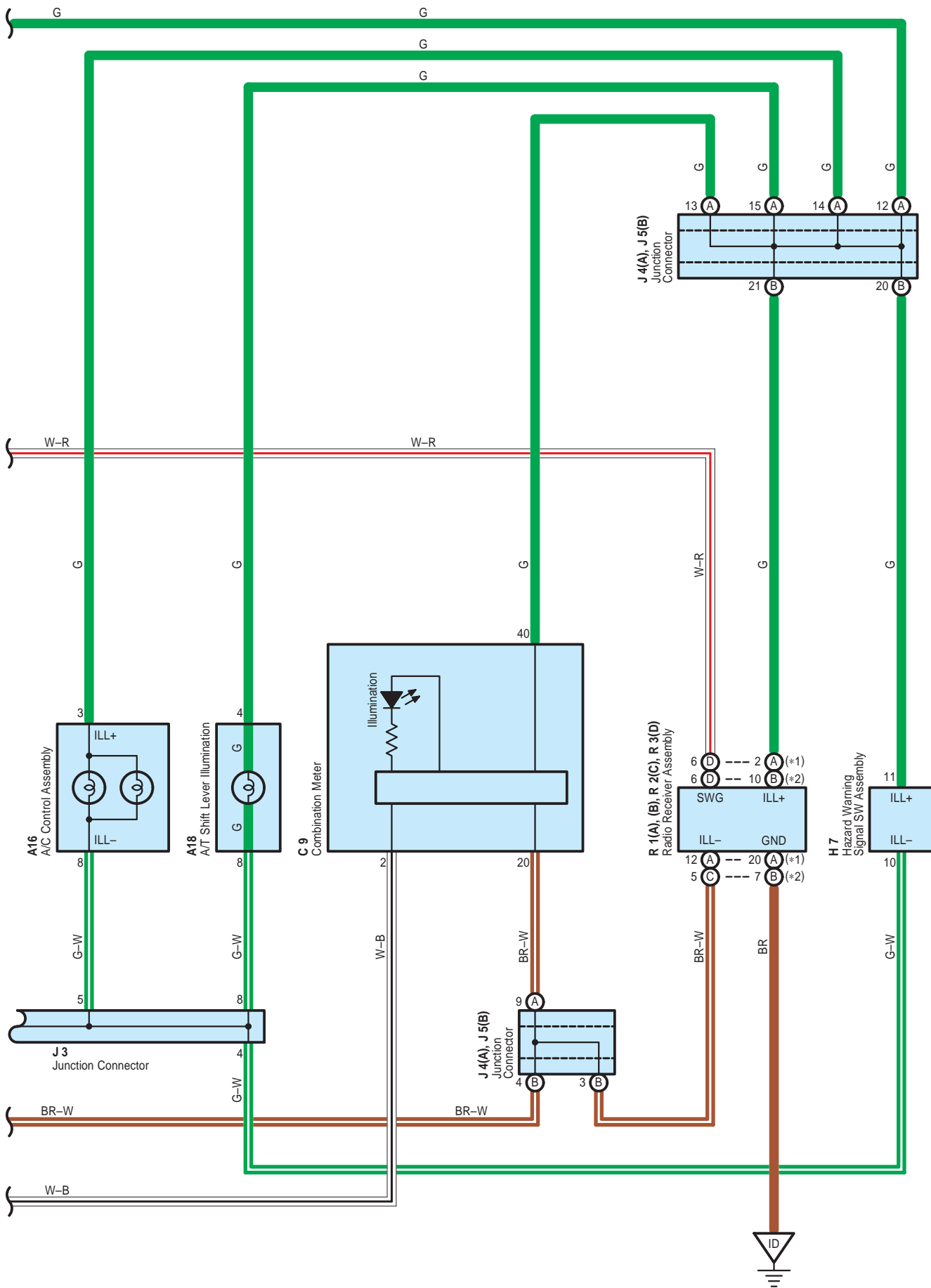


# Illumination





# Illumination

## ○ : Parts Location

Code	See Page	Code	See Page	Code	See Page
A16	44	D8	44	J5	B 45
A18	44	F16	44	R1	A 45
A27	44	H7	45		B 45
B5	A 44	J1	45	R2	C 45
C9	44	J2	45	R3	D 45
C11	44	J3	45	R4	45
D5	44	J4	A 45	S8	45

## ○ : Relay Blocks

Code	See Page	Relay Blocks (Relay Block Location)
2	24	Engine Room R/B (Engine Compartment Left)

## ○ : Junction Block and Wire Harness Connector

Code	See Page	Junction Block and Wire Harness (Connector Location)
1A	28	Engine Room Main Wire and Driver Side J/B (Lower Finish Panel)
1C		
1J	29	Instrument Panel Wire and Driver Side J/B (Lower Finish Panel)
DA	34	Instrument Panel Wire and Instrument Panel J/B No.1 (Left Kick Panel)
DC	34	Engine Room Main Wire and Instrument Panel J/B No.1 (Left Kick Panel)

## □ : Connector Joining Wire Harness and Wire Harness

Code	See Page	Joining Wire Harness and Wire Harness (Connector Location)
IJ1	55	Instrument Panel Wire and Instrument Panel Wire (Right Kick Panel)

## ▽ : Ground Points

Code	See Page	Ground Points Location
IA	54	Left Kick Panel
IC	54	Instrument Panel Brace RH
ID		

