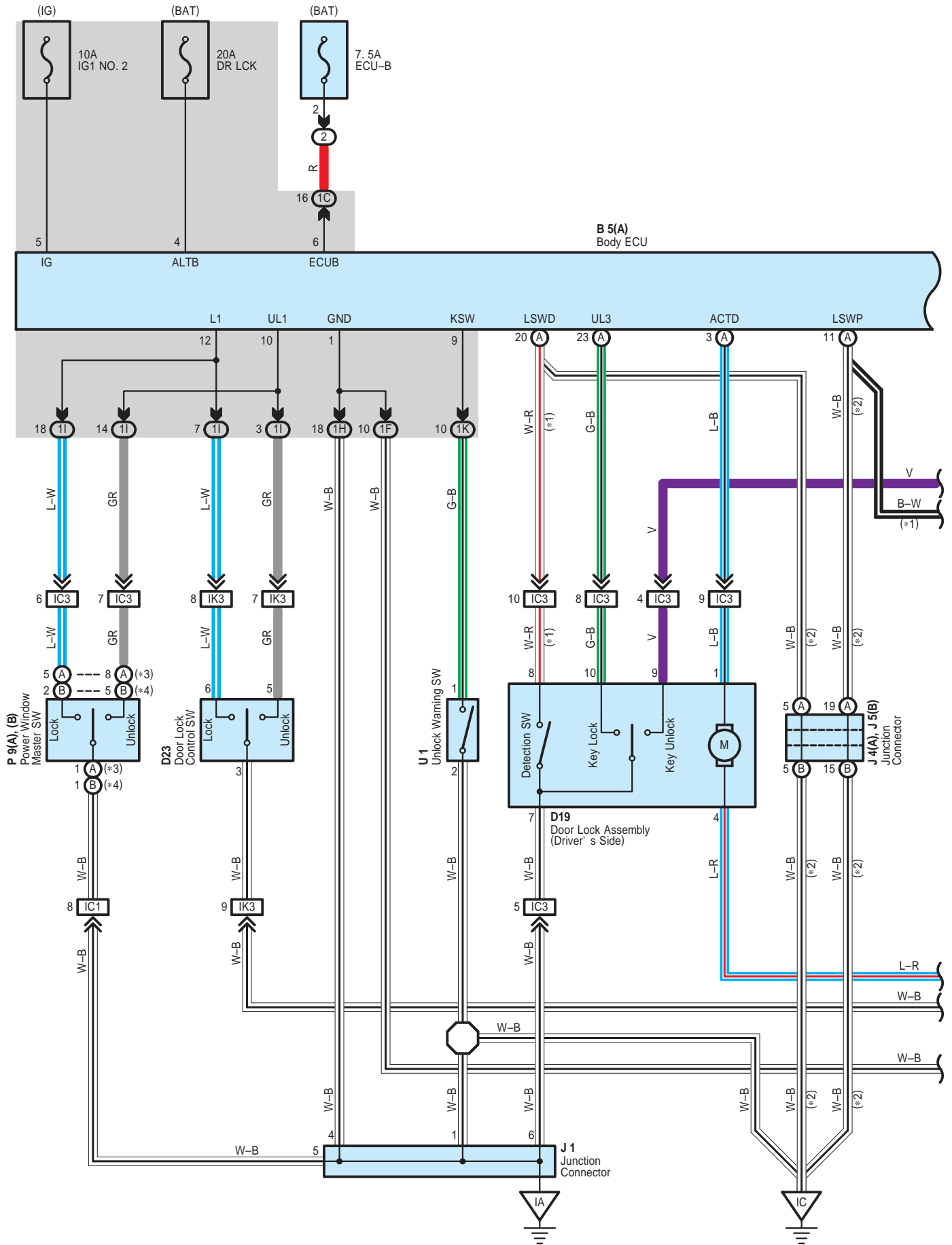
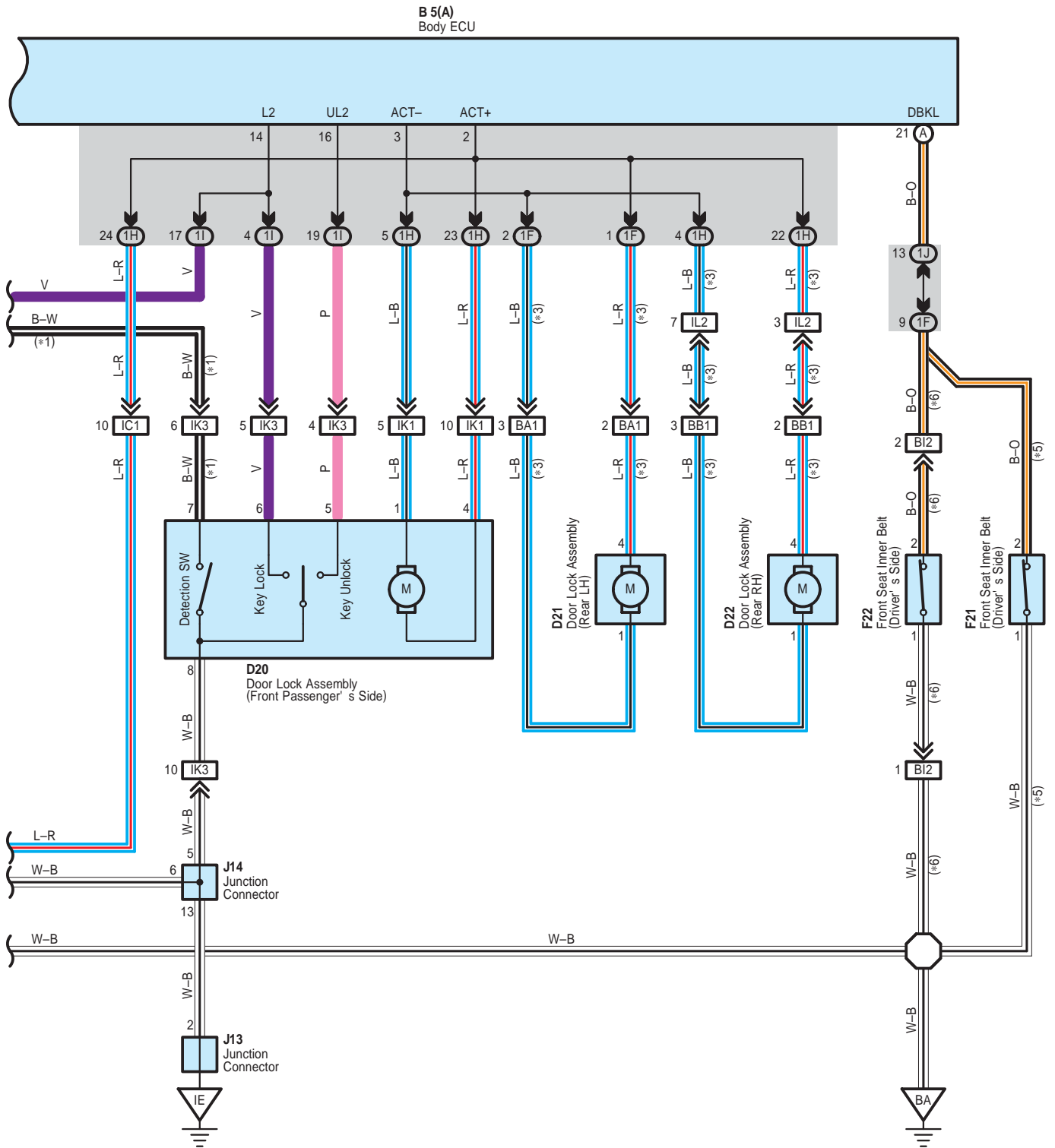


Door Lock Control



- * 1 : w/ Door Lock Control
- * 2 : w/o Door Lock Control
- * 3 : Double Cab
- * 4 : Access Cab
- * 5 : Separate Seat
- * 6 : Bench Seat



Door Lock Control

System Outline

1. Manual Unlock Operation

When the door lock control SW of the driver's or passenger's side door is pushed to UNLOCK, the door lock will unlock.

2. Manual Lock Operation

When the door lock control SW of the driver's or passenger's side door is pushed to LOCK, the door lock will lock.

3. Door Key Unlock Operation

* Unlock operation from driver's side door

When the driver's side door is unlocked once using the ignition key, only the driver's side door is unlocked. If this operation is repeated within 3 seconds, all the other doors are unlocked.

* Unlock operation from front passenger's side door

When the front passenger's side door is unlocked using the ignition key, all the other doors are unlocked, too.

○ : Parts Location

Code	See Page	Code	See Page	Code	See Page		
B5	A	44		J13	45		
D19		46 (*1)	D23	46 (*1)			
		48 (*2)		48 (*2)	J14	45	
D20		46 (*1)	F21	50 (*4)	P9	A	47 (*1)
		48 (*2)	F22	51 (*5)		B	48 (*2)
			J1	45	U1	45	
D21		46 (*1)	J4	A	45		
D22		46 (*1)	J5	B	45		

○ : Relay Blocks

Code	See Page	Relay Blocks (Relay Block Location)
2	24	Engine Room R/B (Engine Compartment Left)

○ : Junction Block and Wire Harness Connector

Code	See Page	Junction Block and Wire Harness (Connector Location)
1C	28	Engine Room Main Wire and Driver Side J/B (Lower Finish Panel)
1F	28	Floor No.2 Wire and Driver Side J/B (Lower Finish Panel)
1H	29	Instrument Panel Wire and Driver Side J/B (Lower Finish Panel)
1I		
1J		
1K		

□ : Connector Joining Wire Harness and Wire Harness

Code	See Page	Joining Wire Harness and Wire Harness (Connector Location)
IC1	54	Front Door LH Wire and Instrument Panel Wire (Left Kick Panel)
IC3		
IK1	55	Front Door RH Wire and Instrument Panel Wire (Right Kick Panel)
IK3		
IL2	55	Instrument Panel Wire and Floor Wire (Right Kick Panel)
BA1	56 (*1)	Rear Door No.2 Wire and Floor No.2 Wire (Under the Left Center Pillar)
BB1	56 (*1)	Rear Door No.1 Wire and Floor Wire (Under the Right Center Pillar)
BI2	61 (*5)	Floor No.2 Wire and Seat No.1 Wire (Under the Front Seat LH)

▽ : Ground Points

Code	See Page	Ground Points Location
IA	54	Left Kick Panel
IC	54	Instrument Panel Brace RH
IE	54	Right Kick Panel
BA	56 (*1)	Floor Seat Cross Member LH
	57 (*2)	

* 1 : Double Cab * 2 : Access Cab * 3 : Regular Cab * 4 : Separate Seat * 5 : Bench Seat

