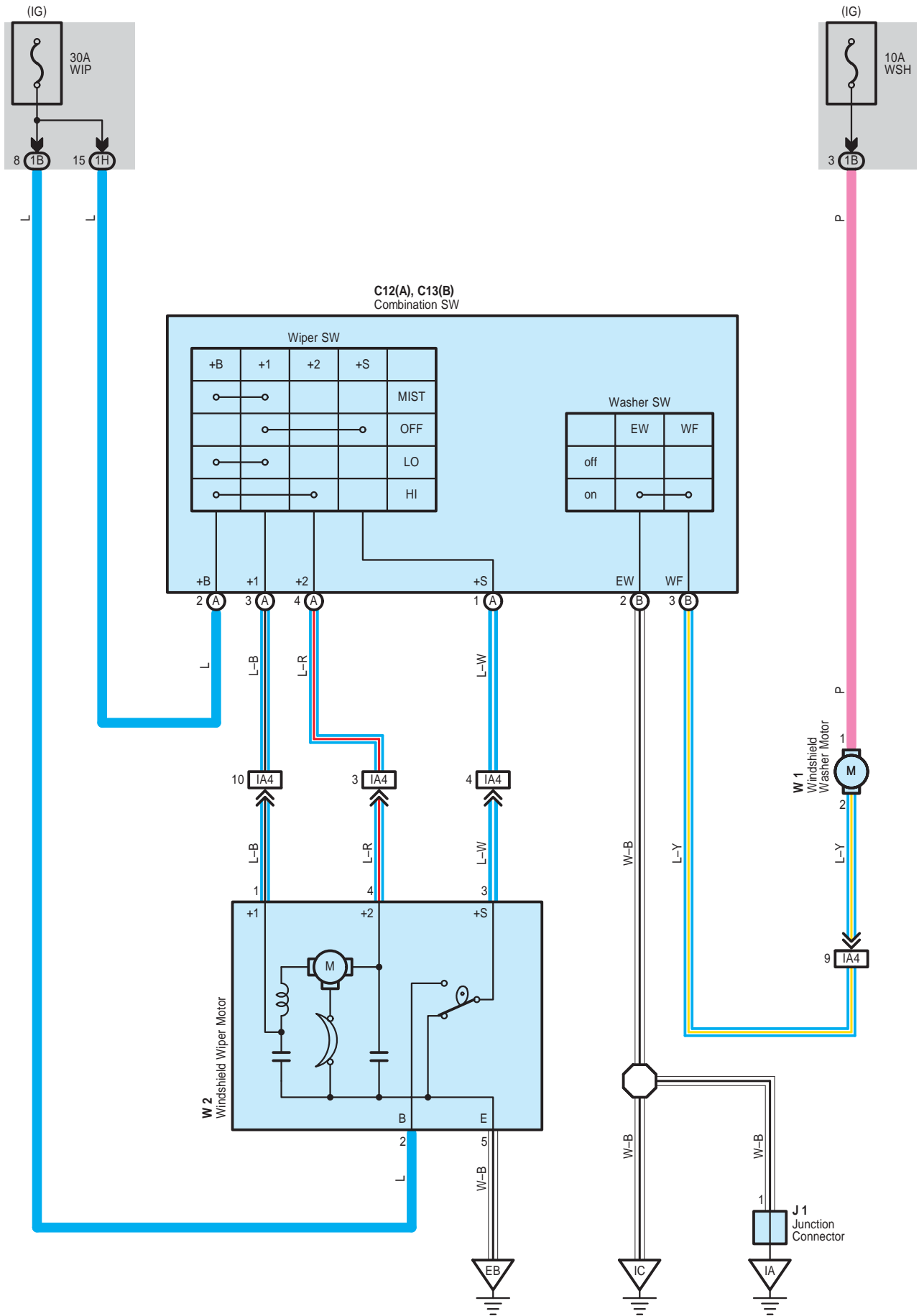


Wiper and Washer without INT Time SW



System Outline

With the ignition SW turned on, the current flows to TERMINAL (A) 2 of the combination SW and TERMINAL 2 of the windshield wiper motor through the WIP fuse. The current flows to TERMINAL 1 of the windshield washer motor through the WSH fuse.

1. Low Speed Position

With the wiper and washer SW turned to LO position, the current flows from TERMINAL (A) 2 of the combination SW to TERMINAL (A) 3 to TERMINAL 1 of the windshield wiper motor to TERMINAL 5 to GROUND and causes the windshield wiper motor to run at low speed.

2. High Speed Position

With the wiper and washer SW turned to HI position, the current flows from TERMINAL (A) 2 of the combination SW to TERMINAL (A) 4 to TERMINAL 4 of the windshield wiper motor to TERMINAL 5 to GROUND and causes the windshield wiper motor to run at high speed.

3. MIST Position

With the wiper SW turned to MIST position, current flows from TERMINAL (A) 2 of the combination SW to TERMINAL (A) 3 to TERMINAL 1 of the windshield wiper motor to TERMINAL 5 to GROUND and causes the windshield wiper motor to run at low speed.

4. Washer Continuous Operation

With the wiper and washer SW pulled to washer position (Washer SW ON position), the current flows from the WSH fuse to TERMINAL 1 of the windshield washer motor to TERMINAL (B) 3 of the combination SW to TERMINAL (B) 2 to GROUND and causes the windshield washer motor to run and the window washer to spray. Simultaneously, current flows from the WIP fuse to TERMINAL (A) 2 of the combination SW to TERMINAL (A) 3 to TERMINAL 1 of the windshield wiper motor to TERMINAL 5 to GROUND, causing the wiper to function.

: Parts Location

Code	See Page	Code	See Page	Code	See Page	
C12	A	44	W1	41 (1GR-FE)	W2	43 (2TR-FE)
C13	B	44		43 (2TR-FE)		
J1		45	W2	41 (1GR-FE)		

: Junction Block and Wire Harness Connector

Code	See Page	Junction Block and Wire Harness (Connector Location)
1B	28	Engine Room Main Wire and Driver Side J/B (Lower Finish Panel)
1H	29	Instrument Panel Wire and Driver Side J/B (Lower Finish Panel)

: Connector Joining Wire Harness and Wire Harness

Code	See Page	Joining Wire Harness and Wire Harness (Connector Location)
IA4	54	Instrument Panel Wire and Engine Room Main Wire (Left Kick Panel)

: Ground Points

Code	See Page	Ground Points Location
EB	52 (1GR-FE)	Front Left Fender
	53 (2TR-FE)	
IA	54	Left Kick Panel
IC	54	Instrument Panel Brace RH