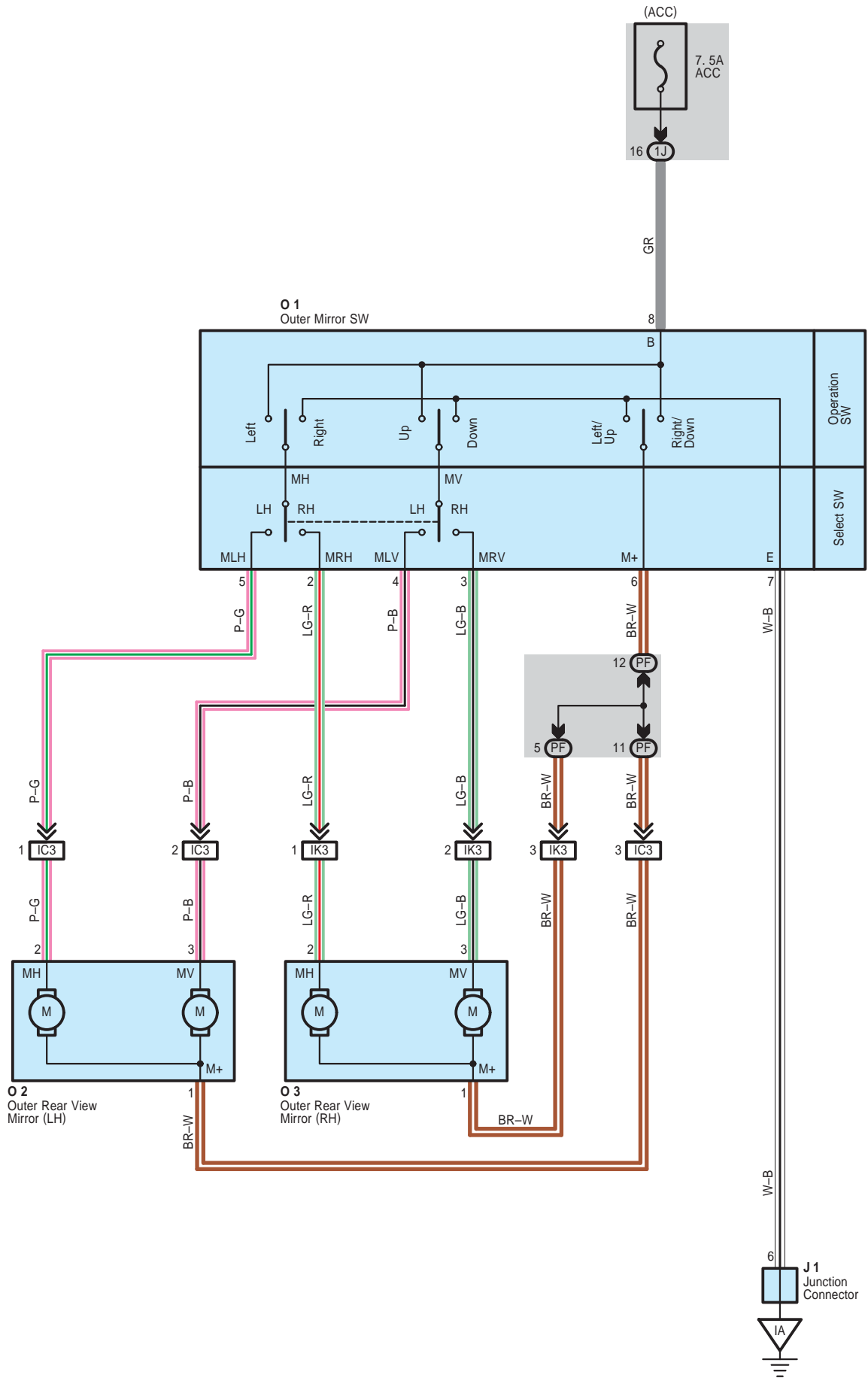


Remote Control Mirror



 : **Parts Location**

| Code | See Page | Code | See Page | Code | See Page |
|------|----------|------|----------|------|----------|
| J1 | 45 | O2 | 46 (*1) | O3 | 46 (*1) |
| O1 | 45 | | 48 (*2) | | 48 (*2) |

 : **Junction Block and Wire Harness Connector**

| Code | See Page | Junction Block and Wire Harness (Connector Location) |
|------|----------|---|
| 1J | 29 | Instrument Panel Wire and Driver Side J/B (Lower Finish Panel) |
| PF | 36 | Instrument Panel Wire and Instrument Panel J/B No.2 (Right Side of Glove Box) |

 : **Connector Joining Wire Harness and Wire Harness**

| Code | See Page | Joining Wire Harness and Wire Harness (Connector Location) |
|------|----------|---|
| IC3 | 54 | Front Door LH Wire and Instrument Panel Wire (Left Kick Panel) |
| IK3 | 55 | Front Door RH Wire and Instrument Panel Wire (Right Kick Panel) |

 : **Ground Points**

| Code | See Page | Ground Points Location |
|------|----------|------------------------|
| IA | 54 | Left Kick Panel |

* 1 : Double Cab * 2 : Access Cab * 3 : Regular Cab * 4 : Separate Seat * 5 : Bench Seat