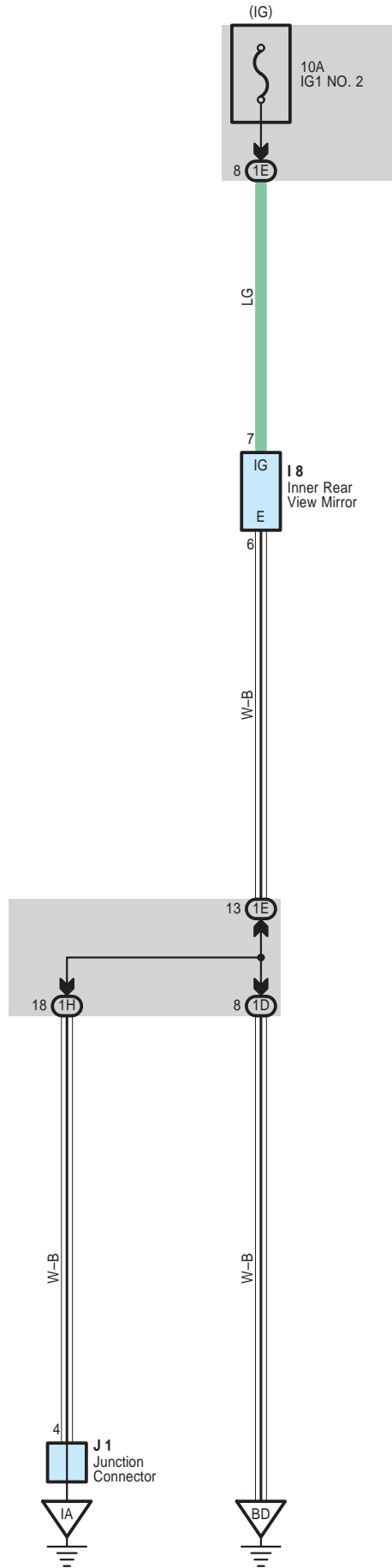


# Automatic Glare-Resistant EC Mirror



 : **Parts Location**

Code	See Page	Code	See Page	Code	See Page
I8	46 (*1)	I8	48 (*2)	J1	45

 : **Junction Block and Wire Harness Connector**

Code	See Page	Junction Block and Wire Harness (Connector Location)
1D	28	Frame Wire and Driver Side J/B (Lower Finish Panel)
1E	28	Roof Wire and Driver Side J/B (Lower Finish Panel)
1H	29	Instrument Panel Wire and Driver Side J/B (Lower Finish Panel)

 : **Ground Points**

Code	See Page	Ground Points Location
IA	54	Left Kick Panel
BD	56 (*1)	Near the Rear Differential
	57 (*2)	

\* 1 : Double Cab    \* 2 : Access Cab    \* 3 : Regular Cab    \* 4 : Separate Seat    \* 5 : Bench Seat