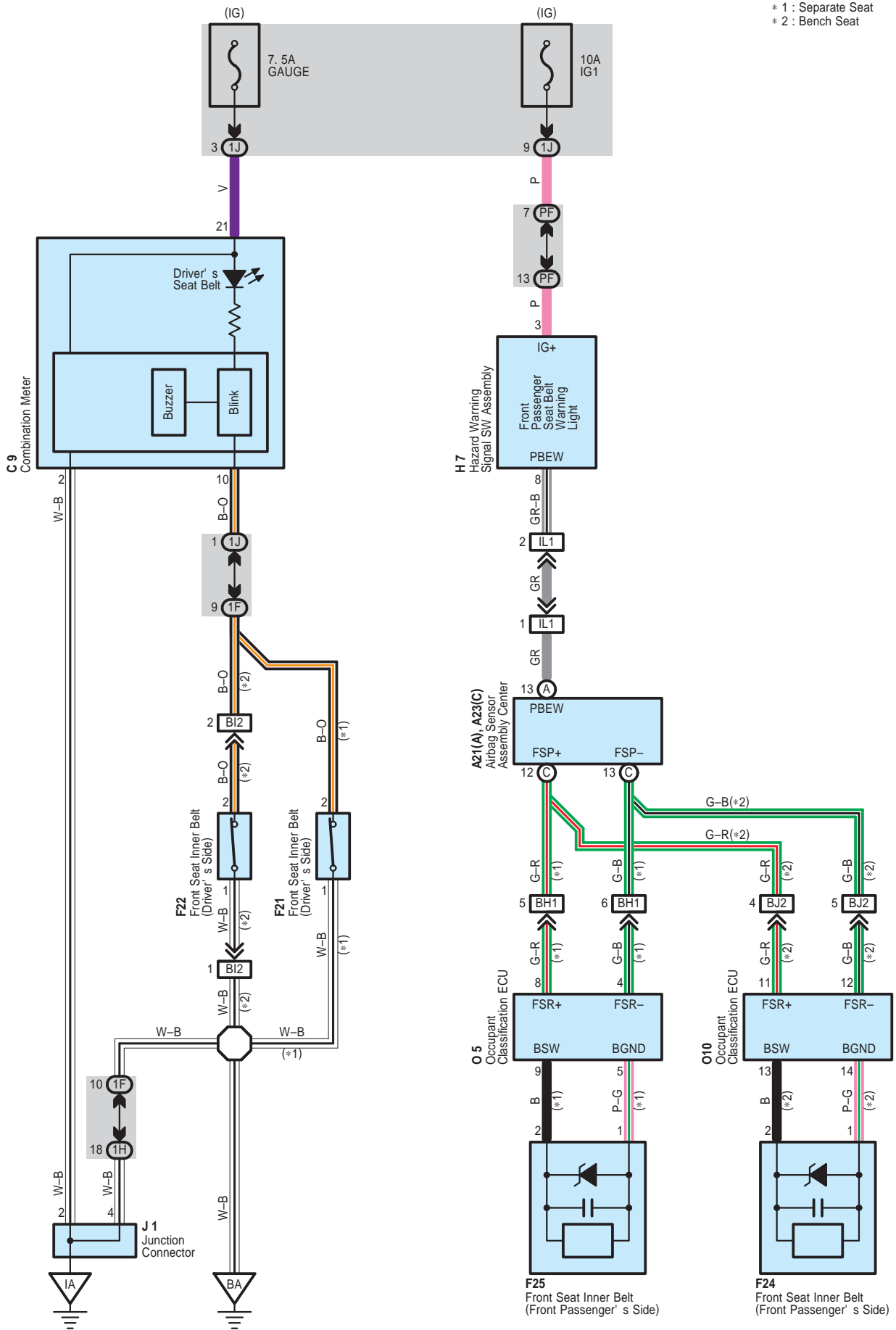


Seat Belt Warning



* 1 : Separate Seat
 * 2 : Bench Seat

System Outline

When the driver has not fastened the seat belt while the ignition SW is ON, the driver seat belt warning light blinks, and a warning buzzer comes on.

Also, in the front passenger seat, a sensor recognizes passenger, and when the passenger has not fastened the seat belt, the front passenger seat belt warning light blinks.

○ : Parts Location

Code		See Page	Code	See Page	Code	See Page
A21	A	44	F22	51 (*5)	J1	45
A23	C	44	F24	51 (*5)	O5	50 (*4)
C9		44	F25	50 (*4)	O10	51 (*5)
F21		50 (*4)	H7	45		

○ : Junction Block and Wire Harness Connector

Code	See Page	Junction Block and Wire Harness (Connector Location)
1F	28	Floor No.2 Wire and Driver Side J/B (Lower Finish Panel)
1H	29	Instrument Panel Wire and Driver Side J/B (Lower Finish Panel)
1J		
PF	36	Instrument Panel Wire and Instrument Panel J/B No.2 (Right Side of Glove Box)

□ : Connector Joining Wire Harness and Wire Harness

Code	See Page	Joining Wire Harness and Wire Harness (Connector Location)
IL1	55	Instrument Panel Wire and Floor Wire (Right Kick Panel)
BH1	60 (*4)	Floor Wire and Seat No.1 Wire (Under the Front Passenger's Seat)
BI2	61 (*5)	Floor No.2 Wire and Seat No.1 Wire (Under the Front Seat LH)
BJ2	61 (*5)	Floor Wire and Seat No.1 Wire (Under the Front Seat RH)

▽ : Ground Points

Code	See Page	Ground Points Location
IA	54	Left Kick Panel
BA	56 (*1)	Floor Seat Cross Member LH
	57 (*2)	
	58 (*3)	

* 1 : Double Cab * 2 : Access Cab * 3 : Regular Cab * 4 : Separate Seat * 5 : Bench Seat