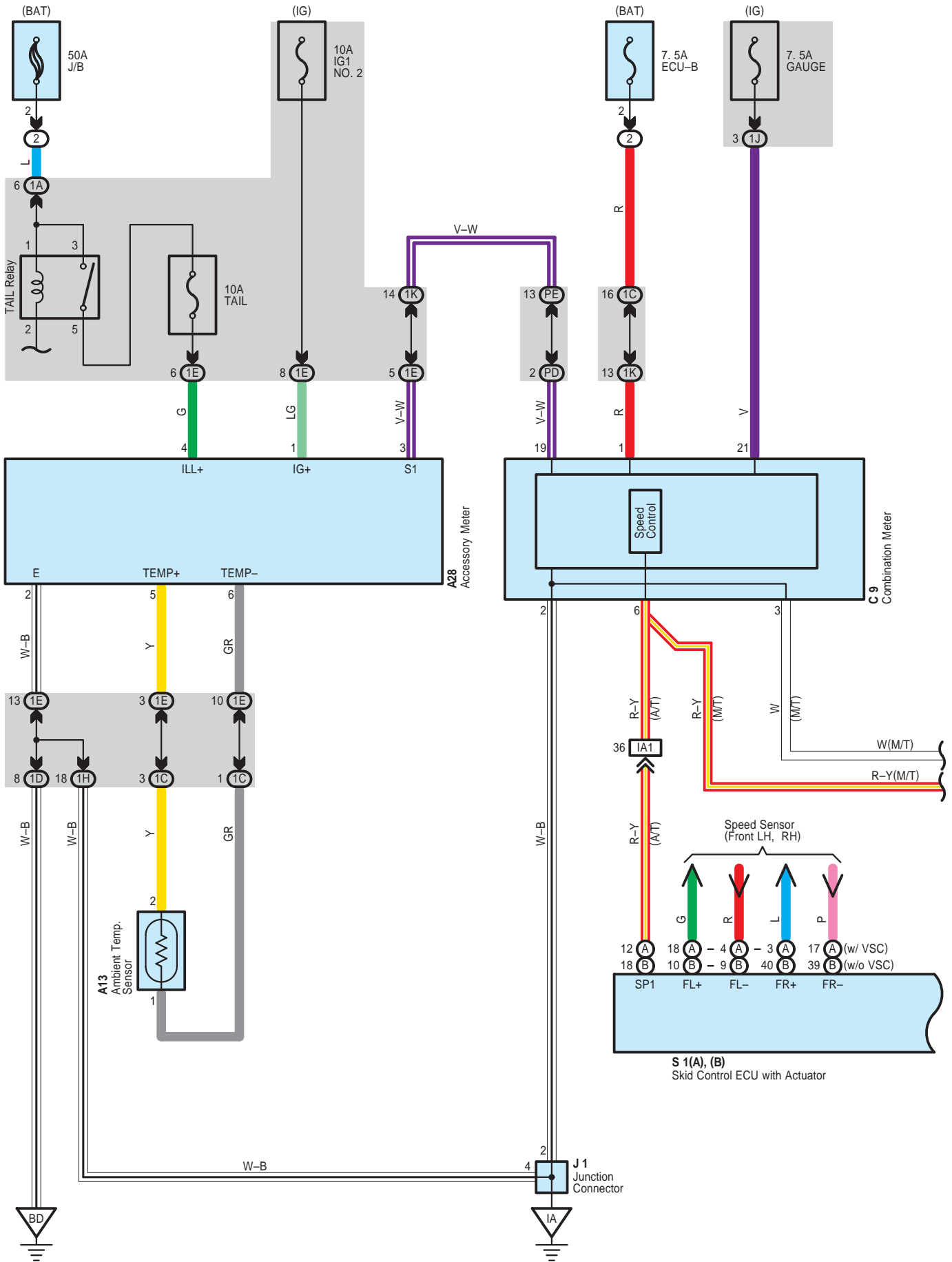
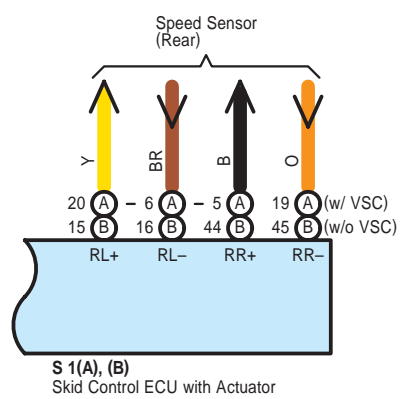
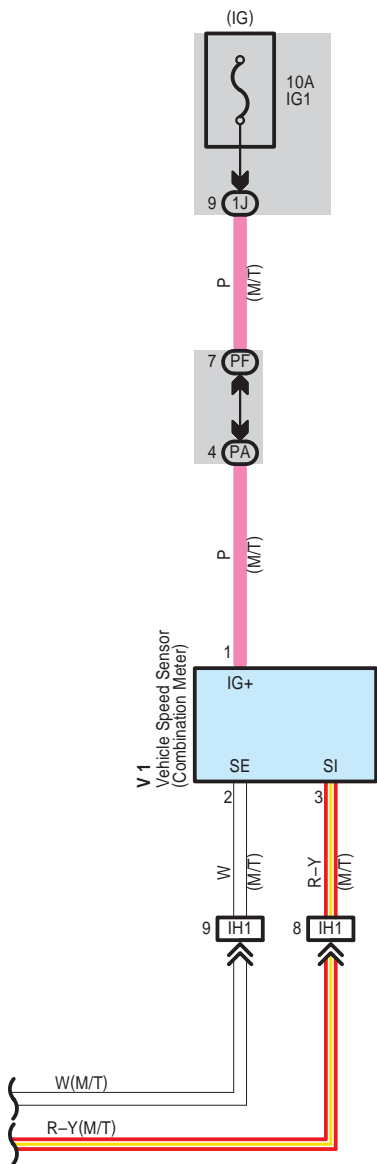


# Accessory Meter





# Accessory Meter

## : Parts Location

Code	See Page	Code	See Page	Code	See Page	
A13	40 (1GR-FE)	C9	44	S1	B	41 (1GR-FE)
	42 (2TR-FE)	J1	45			43 (2TR-FE)
A28	46 (*1)	S1	A	V1	41 (1GR-FE)	
	48 (*2)				43 (2TR-FE)	

## : Relay Blocks

Code	See Page	Relay Blocks (Relay Block Location)
2	24	Engine Room R/B (Engine Compartment Left)

## : Junction Block and Wire Harness Connector

Code	See Page	Junction Block and Wire Harness (Connector Location)
1A	28	Engine Room Main Wire and Driver Side J/B (Lower Finish Panel)
1C		
1D	28	Frame Wire and Driver Side J/B (Lower Finish Panel)
1E	28	Roof Wire and Driver Side J/B (Lower Finish Panel)
1H	29	Instrument Panel Wire and Driver Side J/B (Lower Finish Panel)
1J		
1K		
PA	36	Engine Wire and Instrument Panel J/B No.2 (Right Side of Glove Box)
PD	36	Instrument Panel Wire and Instrument Panel J/B No.2 (Right Side of Glove Box)
PE		
PF		

## : Connector Joining Wire Harness and Wire Harness

Code	See Page	Joining Wire Harness and Wire Harness (Connector Location)
IA1	54	Instrument Panel Wire and Engine Room Main Wire (Left Kick Panel)
IH1	55	Engine Wire and Instrument Panel Wire (Right Side of Glove Box)

## : Ground Points

Code	See Page	Ground Points Location
IA	54	Left Kick Panel
BD	56 (*1)	Near the Rear Differential
	57 (*2)	

\* 1 : Double Cab    \* 2 : Access Cab    \* 3 : Regular Cab    \* 4 : Separate Seat    \* 5 : Bench Seat

