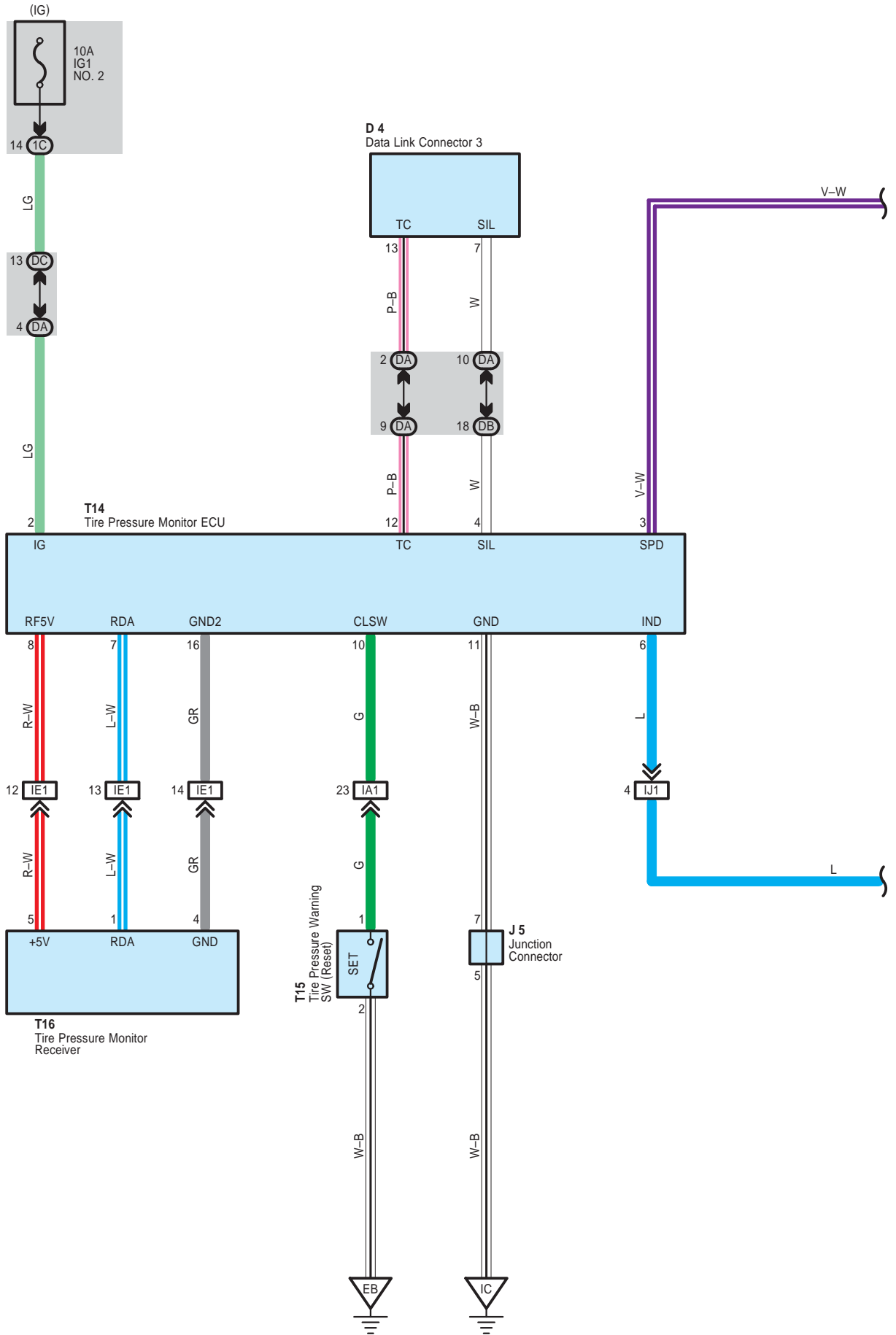
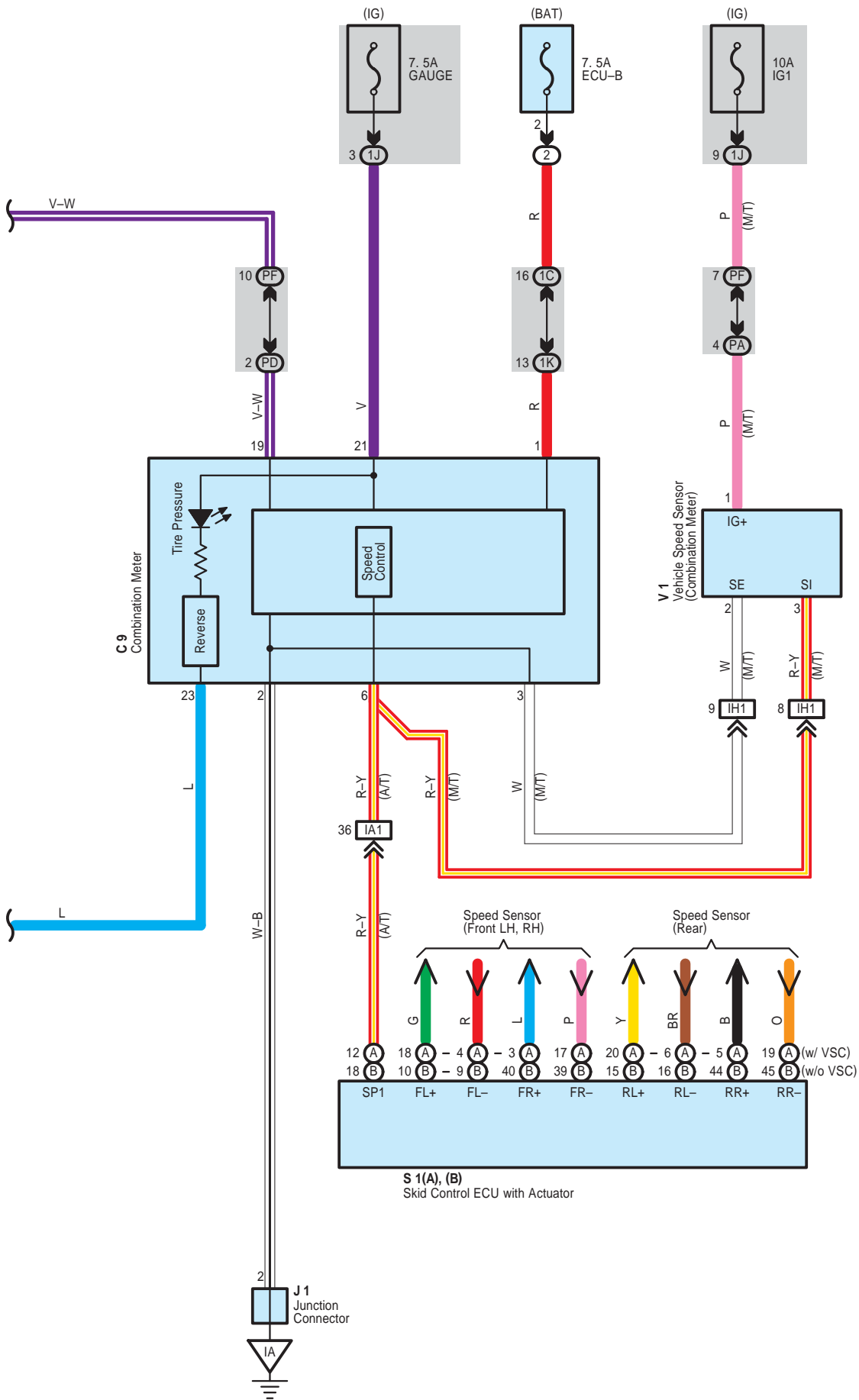


Tire Pressure Warning System





Tire Pressure Warning System

System Outline

The air pressure sensor installed in the tire wheel detects the tire air pressure and transmits signals to the vehicle side receiver. When the detected tire air pressure is below a specified level, the warning light in the combination meter comes on to inform the driver.

Press the tire pressure warning SW (Reset) for 3 seconds with the ignition SW at ON position after the tire pressure is adjusted to the specified value. It will lead the tire pressure monitor ECU to control and warn the pressure according to the specified value.

Warnings when the tire pressure is low

* When the tire air pressure is below a specified level, the warning light in the combination meter comes on.

○ : Parts Location

| Code | See Page | Code | See Page | Code | See Page | |
|------|----------|------|-------------|-------------|-------------|---------|
| C9 | 44 | S1 | A | 43 (2TR-FE) | T16 | 47 (*1) |
| D4 | 44 | | B | 41 (1GR-FE) | | 48 (*2) |
| J1 | 45 | | 43 (2TR-FE) | 49 (*3) | | |
| J5 | 45 | T14 | 45 | V1 | 41 (1GR-FE) | |
| S1 | A | T15 | 45 | | 43 (2TR-FE) | |

○ : Relay Blocks

| Code | See Page | Relay Blocks (Relay Block Location) |
|------|----------|---|
| 2 | 24 | Engine Room R/B (Engine Compartment Left) |

○ : Junction Block and Wire Harness Connector

| Code | See Page | Junction Block and Wire Harness (Connector Location) |
|------|----------|---|
| 1C | 28 | Engine Room Main Wire and Driver Side J/B (Lower Finish Panel) |
| 1J | 29 | Instrument Panel Wire and Driver Side J/B (Lower Finish Panel) |
| 1K | | |
| DA | 34 | Instrument Panel Wire and Instrument Panel J/B No.1 (Left Kick Panel) |
| DB | | |
| DC | 34 | Engine Room Main Wire and Instrument Panel J/B No.1 (Left Kick Panel) |
| PA | 36 | Engine Wire and Instrument Panel J/B No.2 (Right Side of Glove Box) |
| PD | 36 | Instrument Panel Wire and Instrument Panel J/B No.2 (Right Side of Glove Box) |
| PF | | |

□ : Connector Joining Wire Harness and Wire Harness

| Code | See Page | Joining Wire Harness and Wire Harness (Connector Location) |
|------|----------|--|
| IA1 | 54 | Instrument Panel Wire and Engine Room Main Wire (Left Kick Panel) |
| IE1 | 54 | Instrument Panel Wire and Floor No.2 Wire (Left Kick Panel) |
| IH1 | 55 | Engine Wire and Instrument Panel Wire (Right Side of Glove Box) |
| IJ1 | 55 | Instrument Panel Wire and Instrument Panel Wire (Right Kick Panel) |

▽ : Ground Points

| Code | See Page | Ground Points Location |
|------|-------------|---------------------------|
| EB | 52 (1GR-FE) | Front Left Fender |
| | 53 (2TR-FE) | |
| IA | 54 | Left Kick Panel |
| IC | 54 | Instrument Panel Brace RH |

* 1 : Double Cab * 2 : Access Cab * 3 : Regular Cab * 4 : Separate Seat * 5 : Bench Seat

