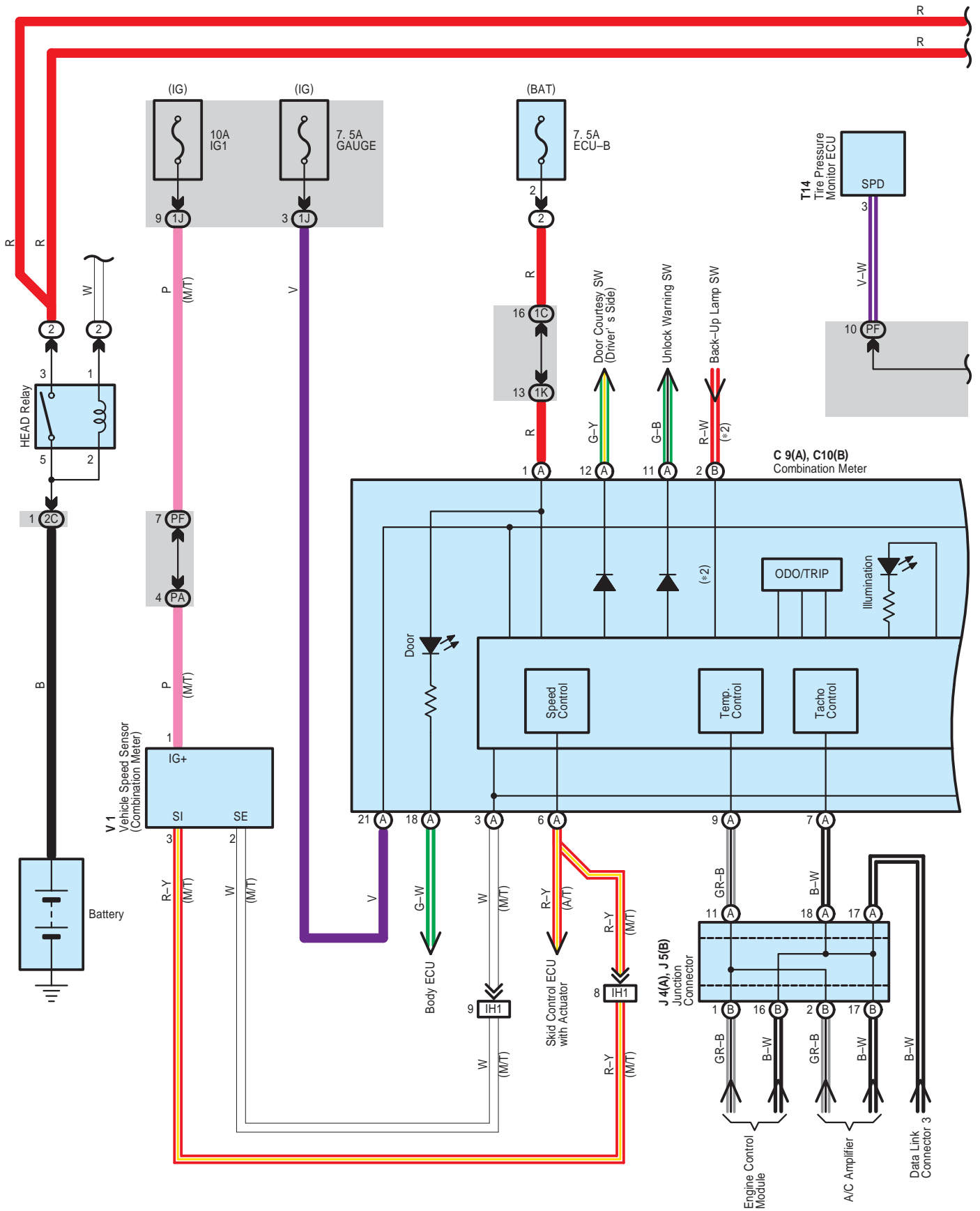
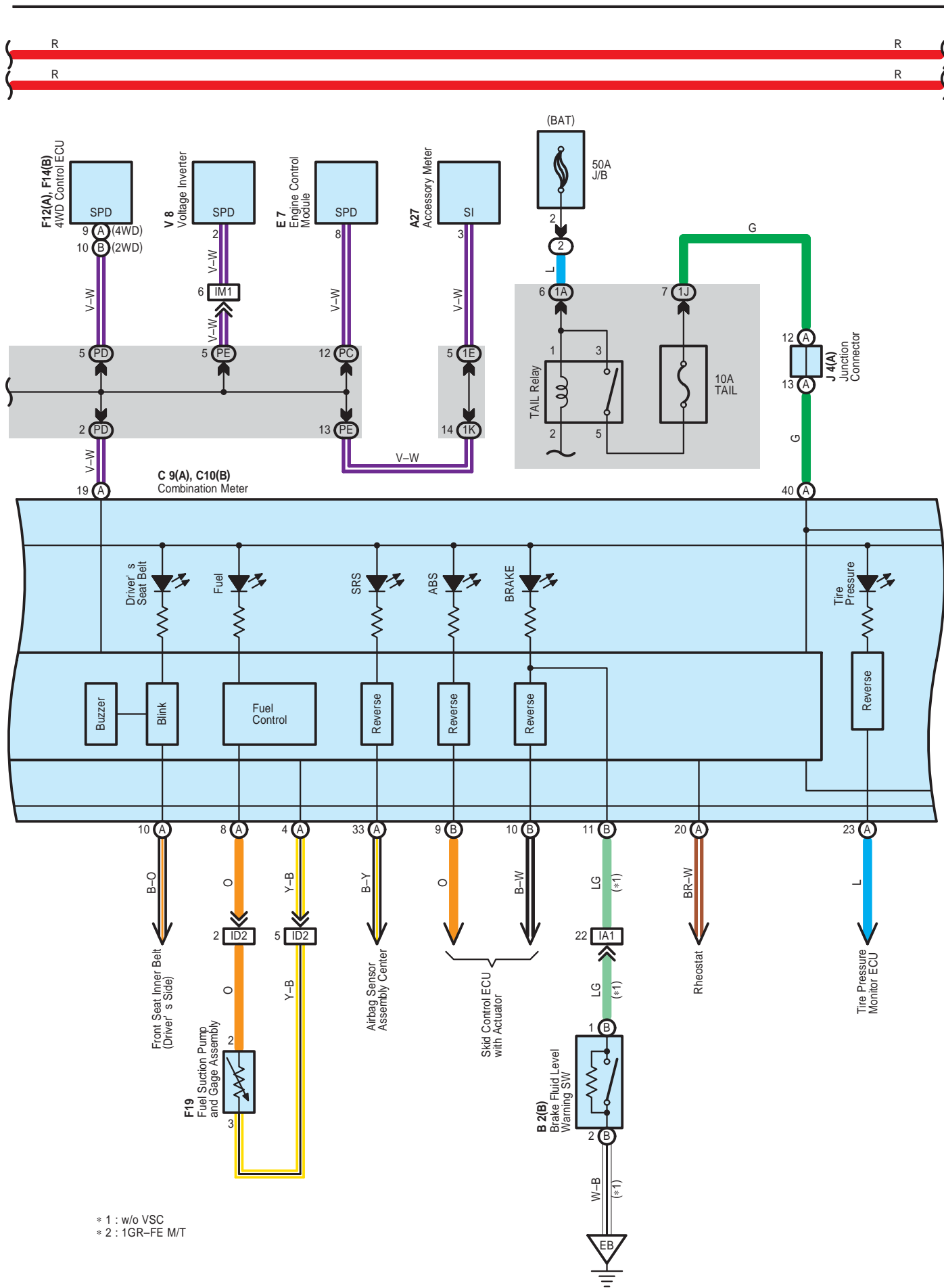
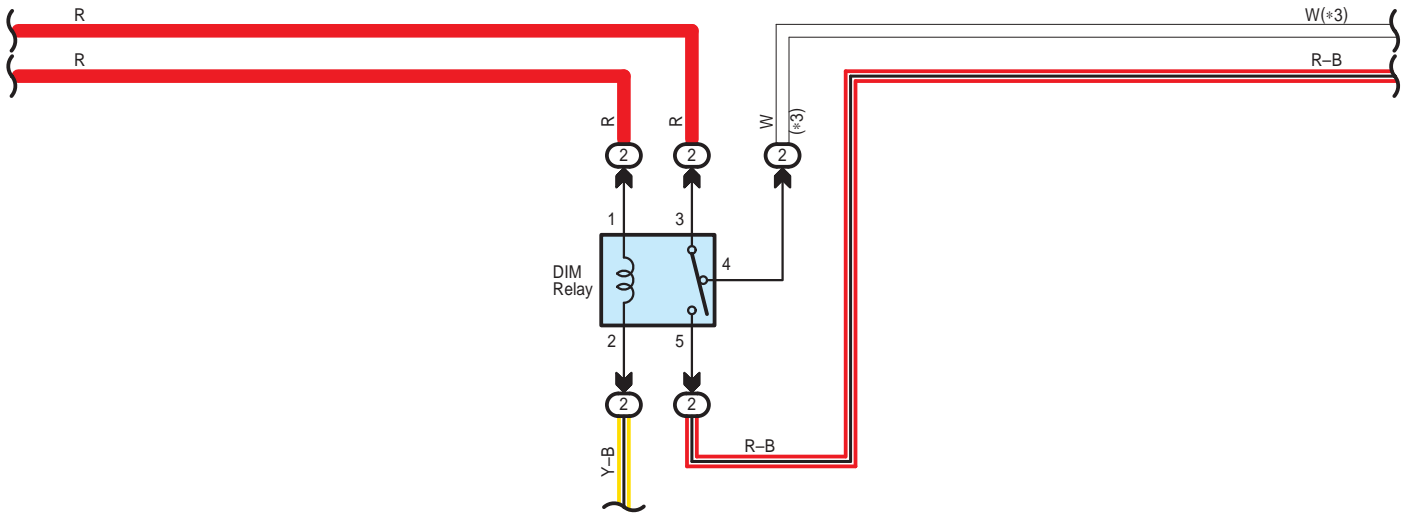


Combination Meter

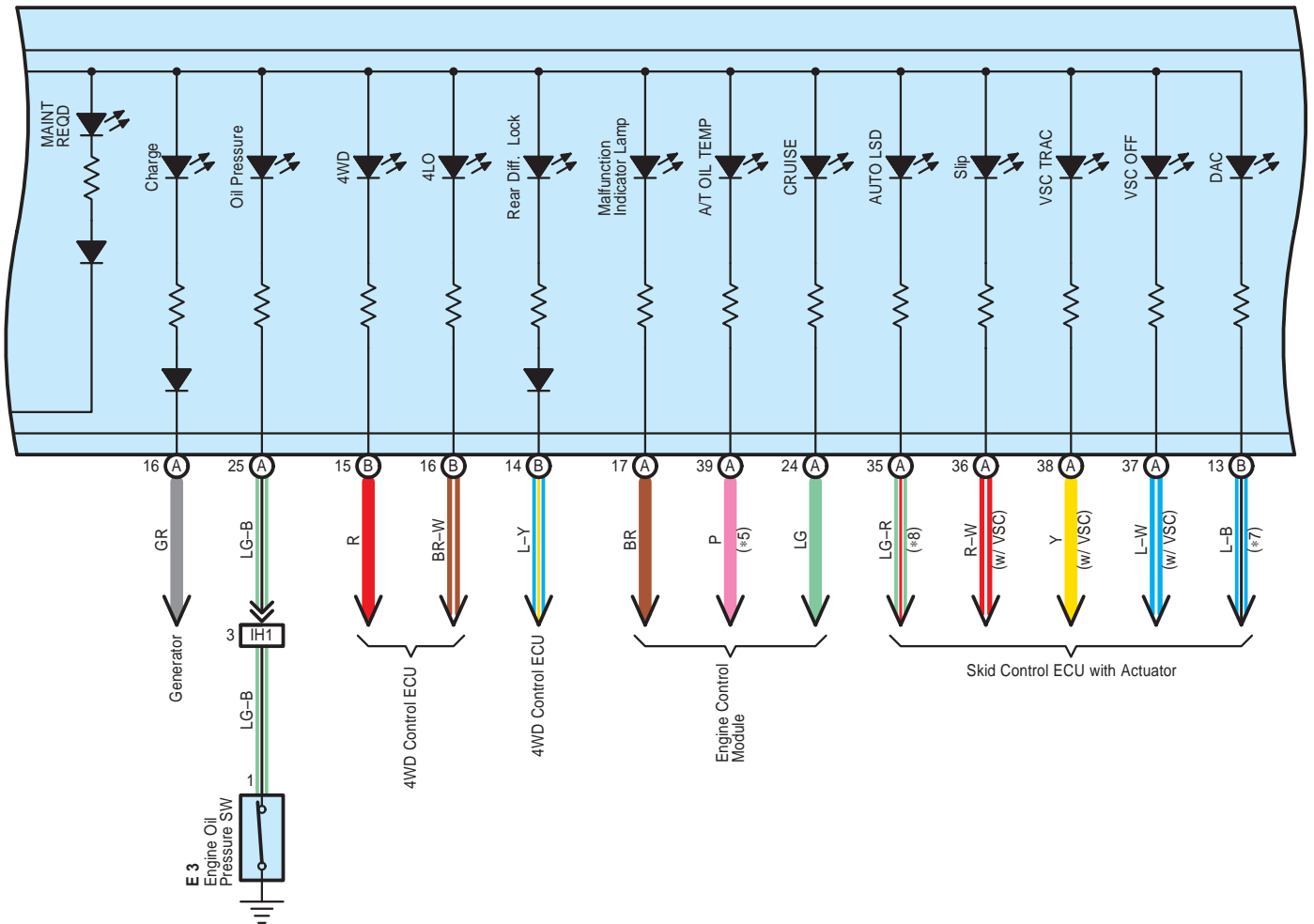


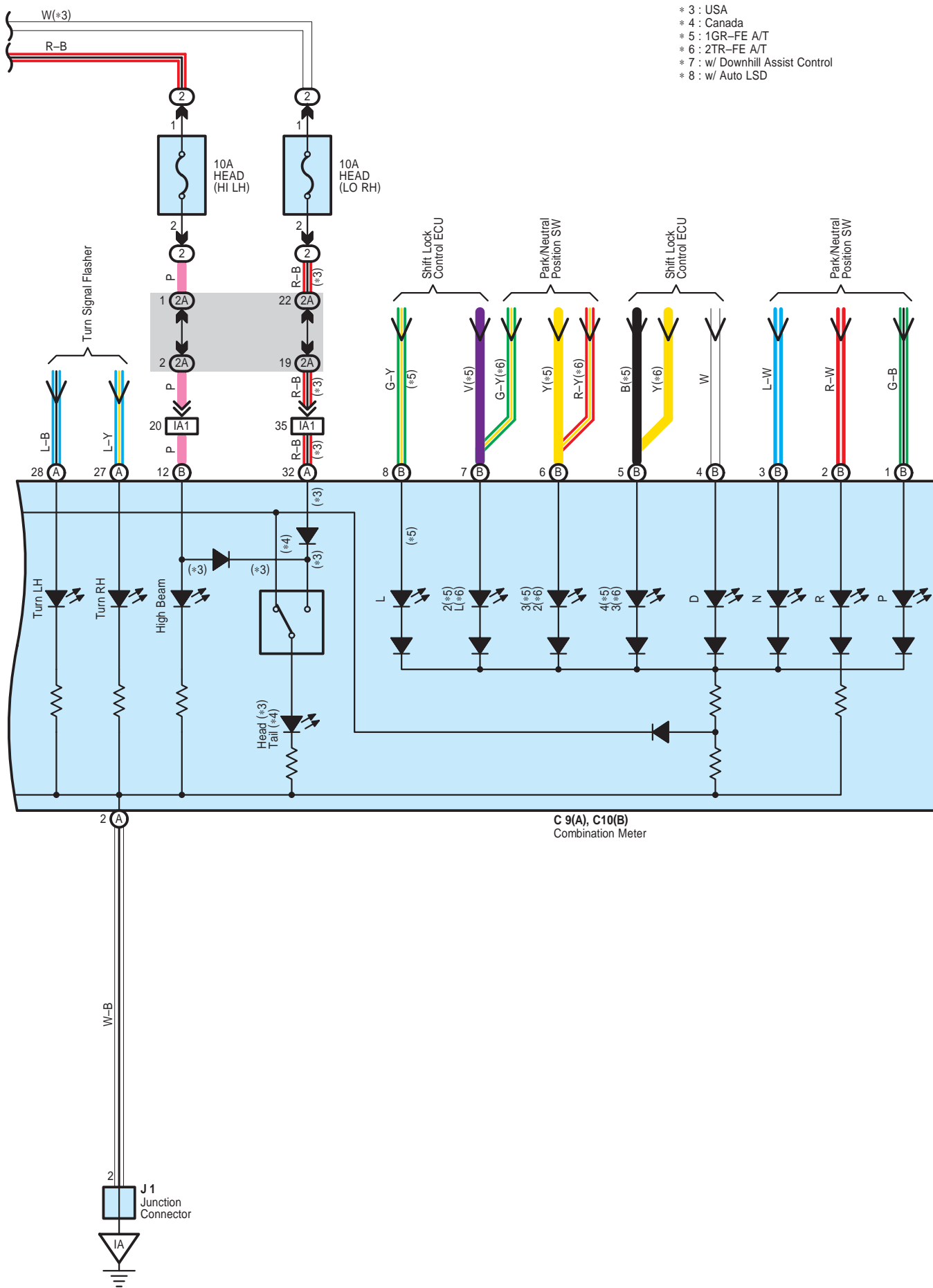


Combination Meter



C 9(A), C10(B)
Combination Meter





TOYOTA TACOMA (EM01D0U)

Combination Meter

○ : Parts Location

Code	See Page	Code	See Page	Code	See Page
A27	44	E7	44	J4	A 45
B2	B	40 (1GR-FE)	F12	A	44
		42 (2TR-FE)	F14	B	44
C9	A	44	F19	V1	41 (1GR-FE)
C10	B	44			48 (*2)
E3		40 (1GR-FE)		J1	V8
		42 (2TR-FE)	45		

○ : Relay Blocks

Code	See Page	Relay Blocks (Relay Block Location)
2	24	Engine Room R/B (Engine Compartment Left)

○ : Junction Block and Wire Harness Connector

Code	See Page	Junction Block and Wire Harness (Connector Location)
1A	28	Engine Room Main Wire and Driver Side J/B (Lower Finish Panel)
1C		
1E	28	Roof Wire and Driver Side J/B (Lower Finish Panel)
1J	29	Instrument Panel Wire and Driver Side J/B (Lower Finish Panel)
1K		
2A	24	Engine Room J/B (Engine Compartment Left)
2C	24	Engine Room Main Wire and Engine Room J/B (Engine Compartment Left)
PA	36	Engine Wire and Instrument Panel J/B No.2 (Right Side of Glove Box)
PC	36	Instrument Panel Wire and Instrument Panel J/B No.2 (Right Side of Glove Box)
PD		
PE		
PF		

□ : Connector Joining Wire Harness and Wire Harness

Code	See Page	Joining Wire Harness and Wire Harness (Connector Location)
IA1	54	Instrument Panel Wire and Engine Room Main Wire (Left Kick Panel)
ID2	54	Frame Wire and Instrument Panel Wire (Left Kick Panel)
IH1	55	Engine Wire and Instrument Panel Wire (Right Side of Glove Box)
IM1	55	Floor No.3 Wire and Instrument Panel Wire (Under the Console Box)

▽ : Ground Points

Code	See Page	Ground Points Location
EB	52 (1GR-FE)	Front Left Fender
	53 (2TR-FE)	
IA	54	Left Kick Panel

* 1 : Double Cab * 2 : Access Cab * 3 : Regular Cab * 4 : Separate Seat * 5 : Bench Seat

