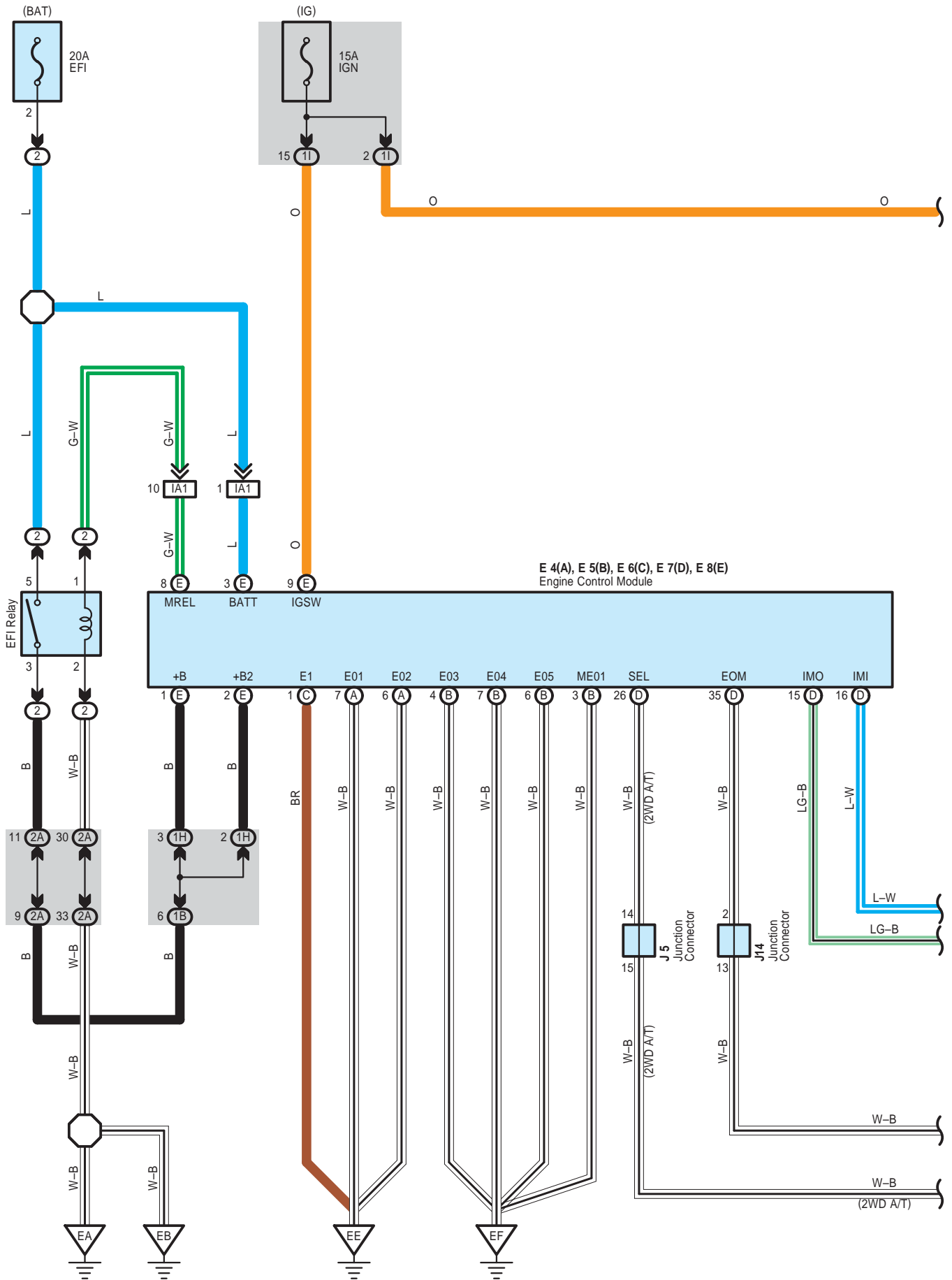
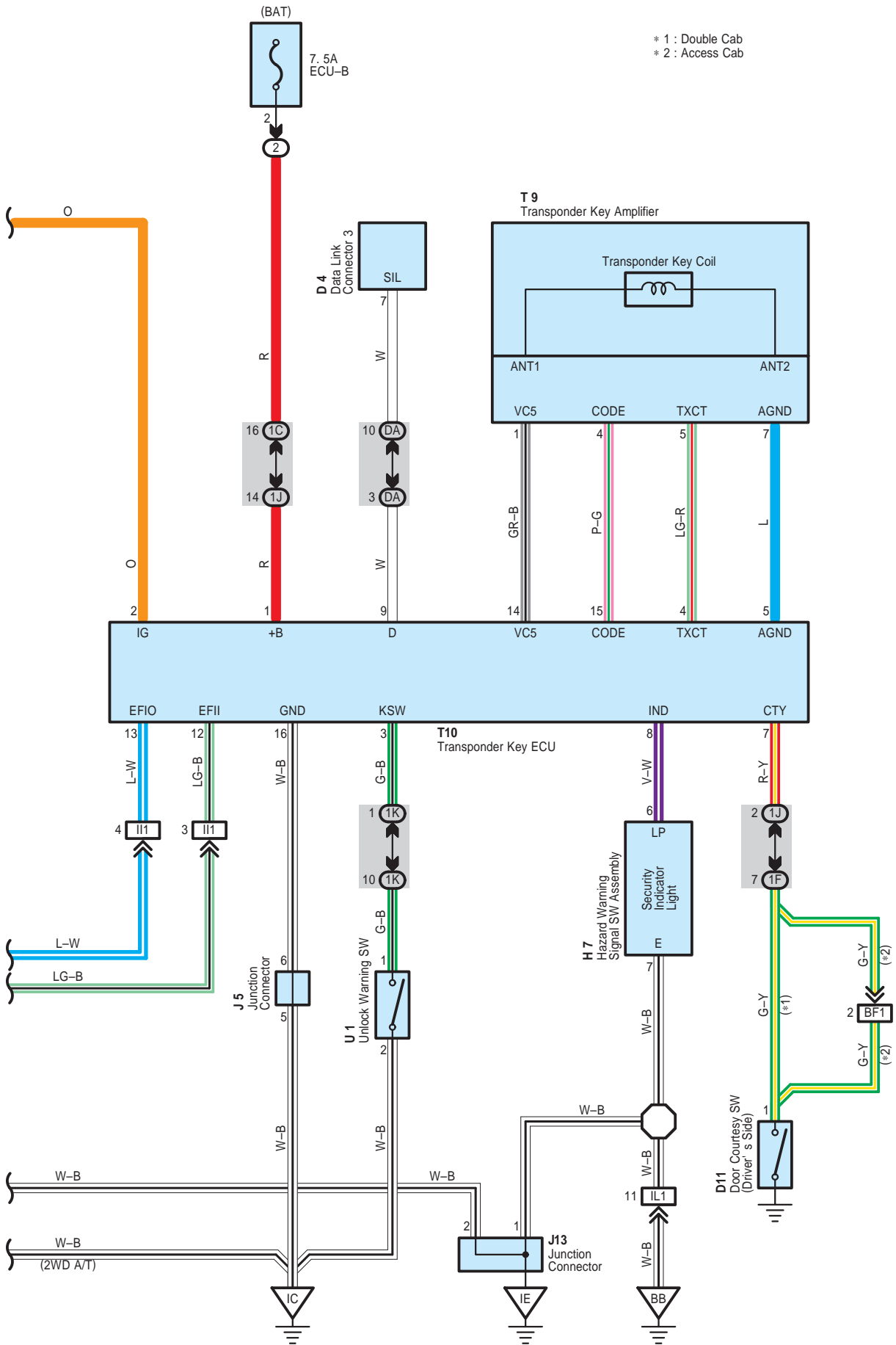


Engine Immobiliser System for 1GR-FE





Engine Immobiliser System for 1GR-FE

○ : Parts Location

Code	See Page	Code	See Page	Code	See Page
D4	44	E6	C 44	J13	45
D11	46 (*1)	E7	D 44	J14	45
	48 (*2)	E8	E 44	T9	45
E4	A 44	H7 45		T10	45
E5	B 44	J5 45		U1	45

○ : Relay Blocks

Code	See Page	Relay Blocks (Relay Block Location)
2	24	Engine Room R/B (Engine Compartment Left)

○ : Junction Block and Wire Harness Connector

Code	See Page	Junction Block and Wire Harness (Connector Location)
1B	28	Engine Room Main Wire and Driver Side J/B (Lower Finish Panel)
1C		
1F	28	Floor No.2 Wire and Driver Side J/B (Lower Finish Panel)
1H	29	Instrument Panel Wire and Driver Side J/B (Lower Finish Panel)
1I		
1J		
1K		
2A	24	Engine Room J/B (Engine Compartment Left)
DA	34	Instrument Panel Wire and Instrument Panel J/B No.1 (Left Kick Panel)

□ : Connector Joining Wire Harness and Wire Harness

Code	See Page	Joining Wire Harness and Wire Harness (Connector Location)
IA1	54	Instrument Panel Wire and Engine Room Main Wire (Left Kick Panel)
II1	55	Instrument Panel Wire and Instrument Panel Wire (Instrument Panel Brace RH)
IL1	55	Instrument Panel Wire and Floor Wire (Right Kick Panel)
BF1	57 (*2)	Rear Door No.2 Wire and Floor No.2 Wire (Under the Left Quarter Panel)

▽ : Ground Points

Code	See Page	Ground Points Location
EA	52 (1GR-FE)	Front Right Fender
EB	52 (1GR-FE)	Front Left Fender
EE	52 (1GR-FE)	Rear Side of Right Bank Cylinder Block
EF	52 (1GR-FE)	Rear Side of Left Bank Cylinder Block
IC	54	Instrument Panel Brace RH
IE	54	Right Kick Panel
BB	56 (*1)	Floor Seat Cross Member RH
	57 (*2)	

* 1 : Double Cab * 2 : Access Cab * 3 : Regular Cab * 4 : Separate Seat * 5 : Bench Seat

