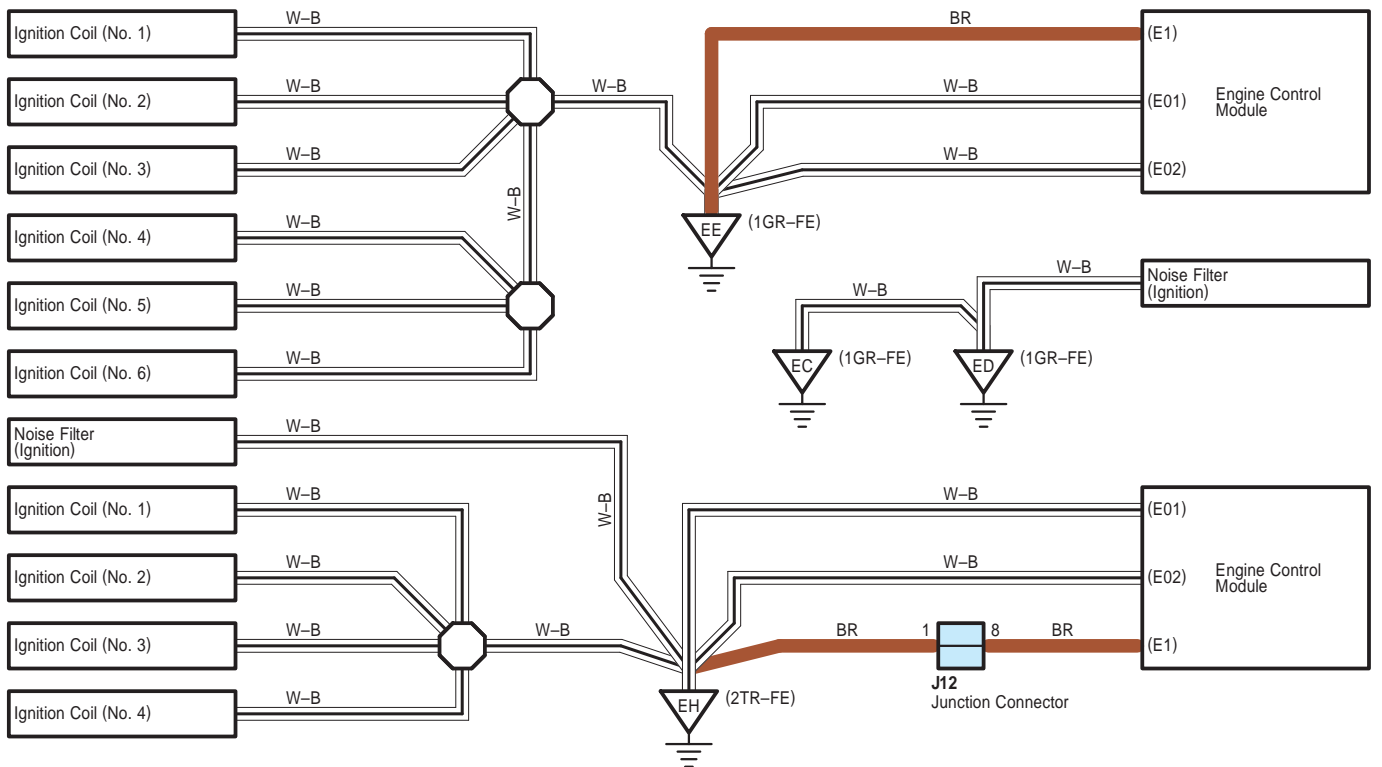
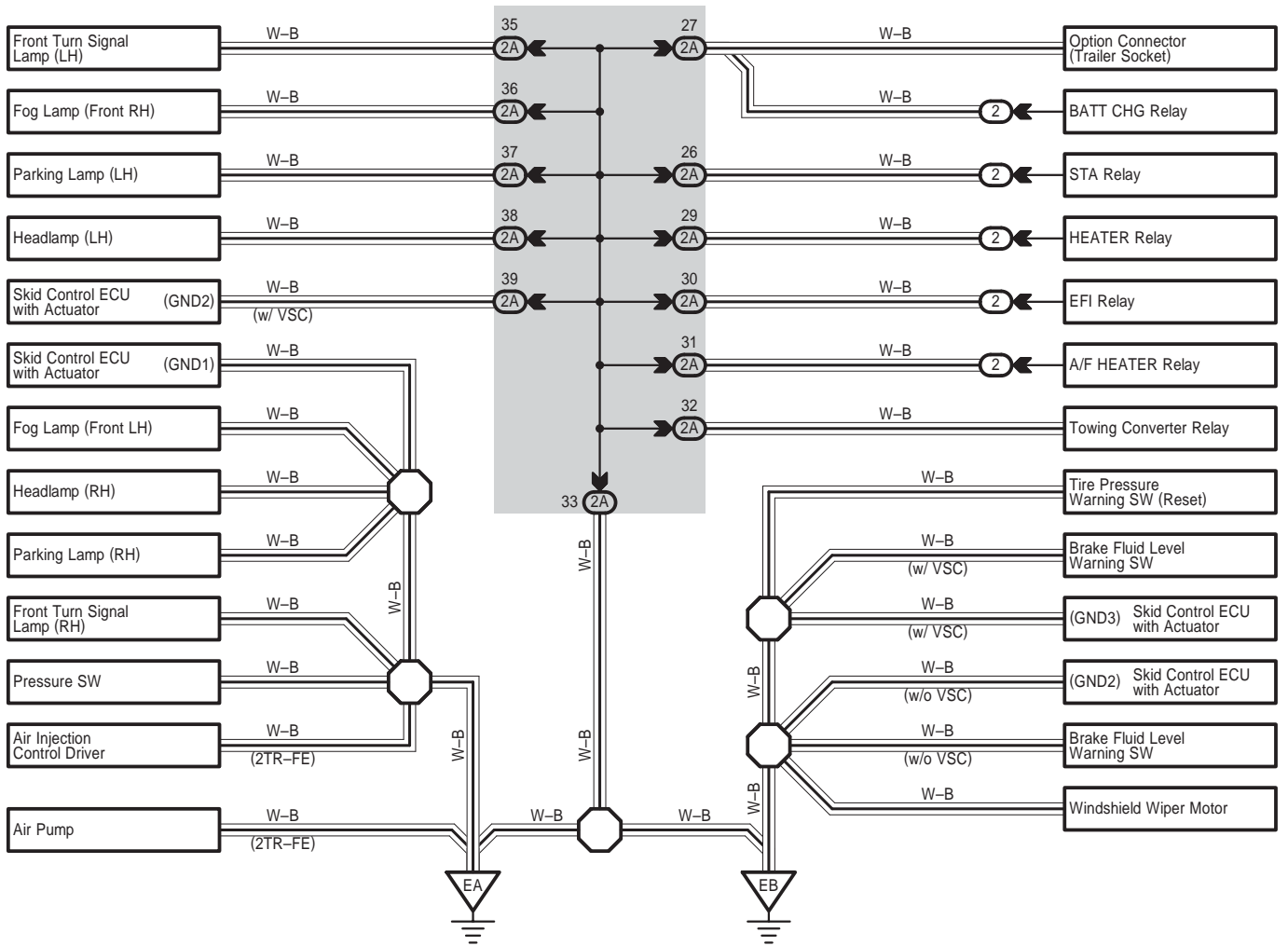
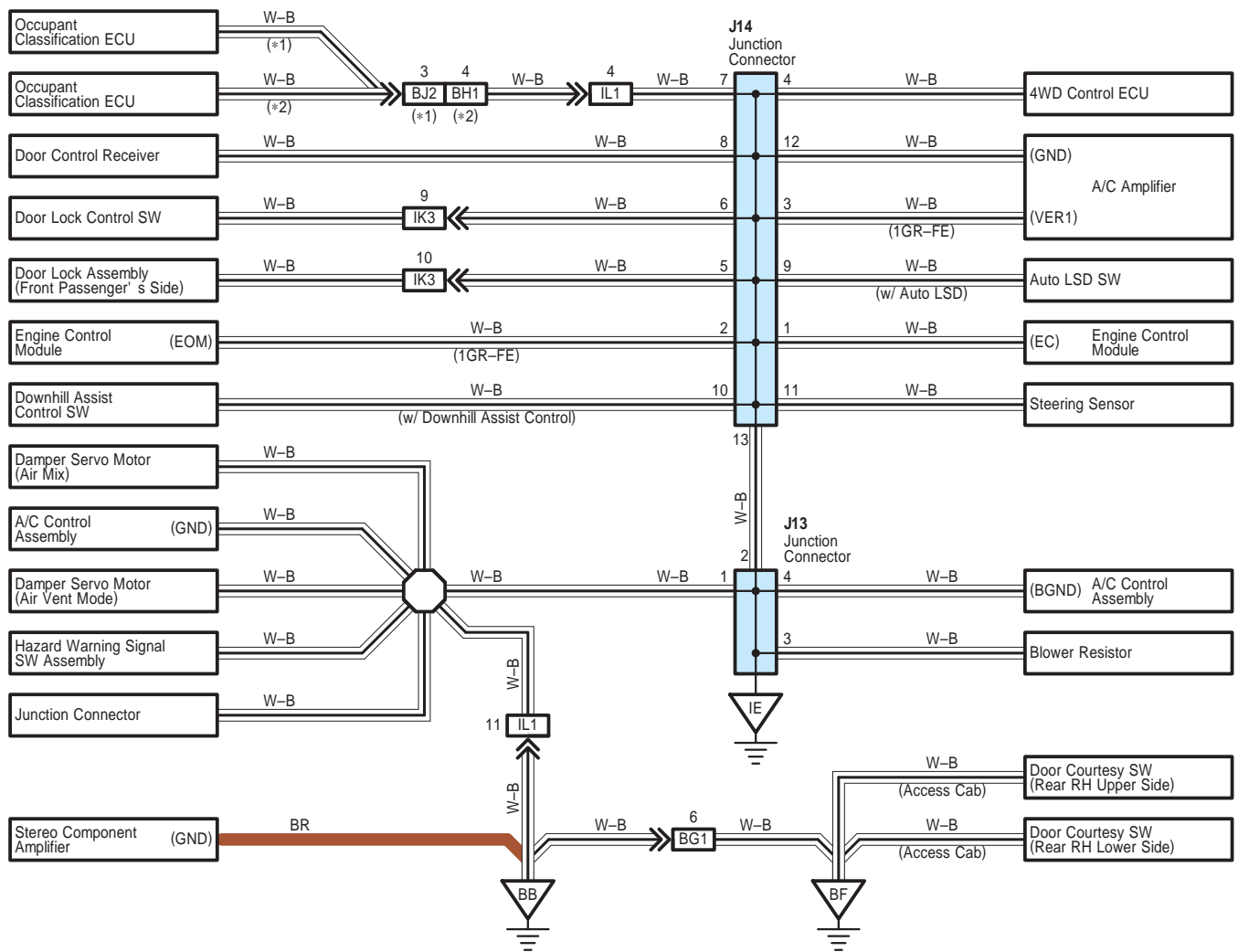
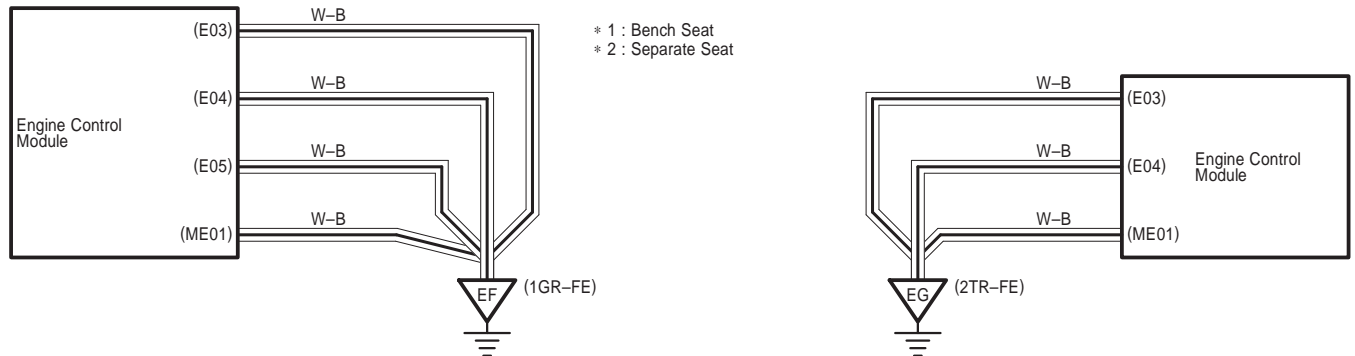
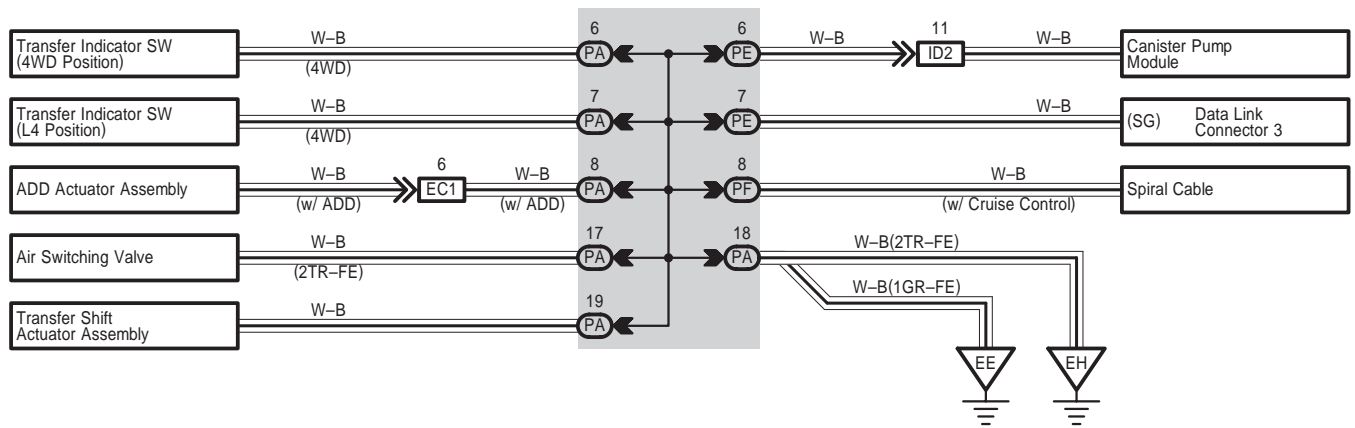
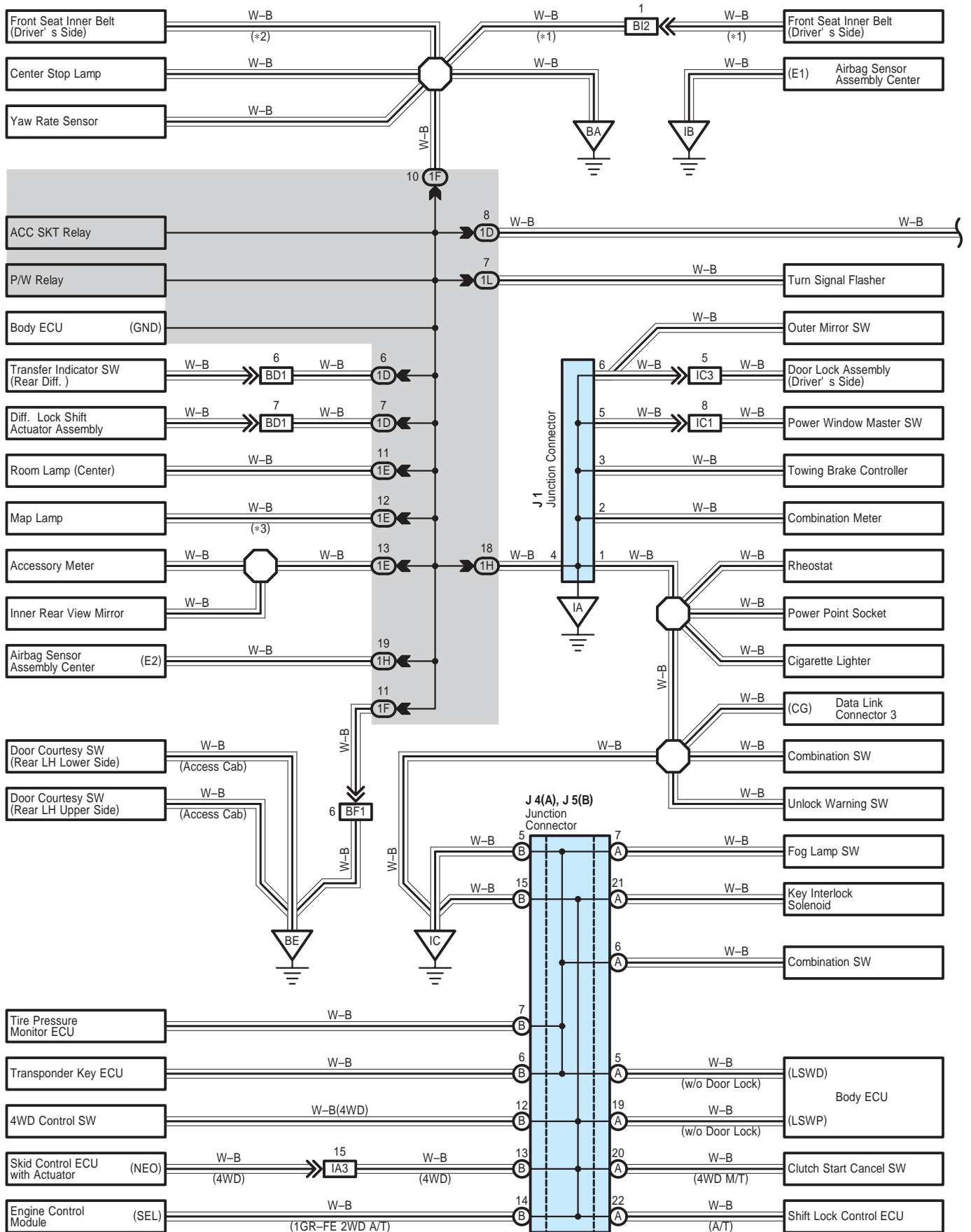


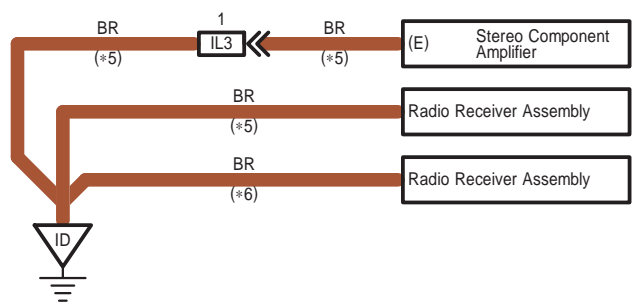
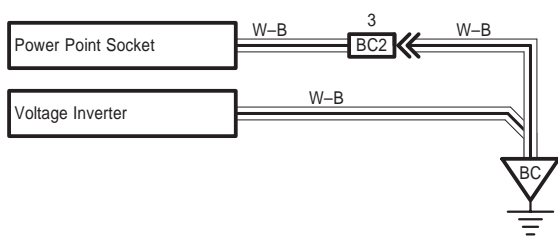
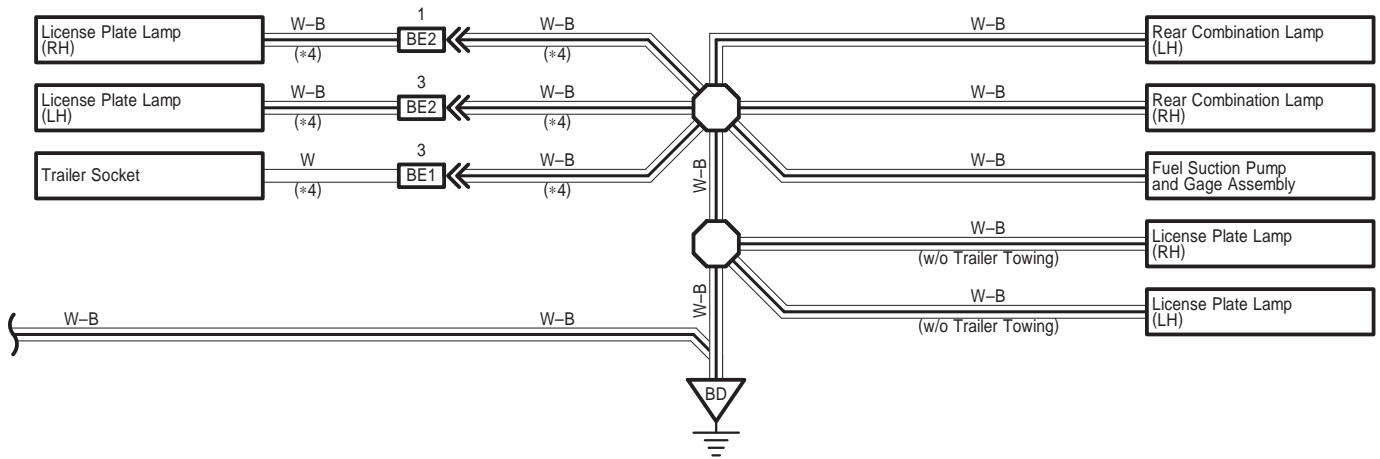
# I GROUND POINT





# I GROUND POINT





- \* 1 : Bench Seat
- \* 2 : Separate Seat
- \* 3 : w/ Automatic Glare-Resistant EC Mirror
- \* 4 : w/ Trailer Towing
- \* 5 : Separate Type Amplifier
- \* 6 : Built-in Type Amplifier

# I GROUND POINT

## : Parts Location

Code	See Page	Code	See Page	Code	See Page
J1	45	J5	B 45	J13	45
J4	A 45	J12	45	J14	45

## : Relay Blocks

Code	See Page	Relay Blocks (Relay Block Location)
2	24	Engine Room R/B (Engine Compartment Left)

## : Junction Block and Wire Harness Connector

Code	See Page	Junction Block and Wire Harness (Connector Location)
1D	28	Frame Wire and Driver Side J/B (Lower Finish Panel)
1E	28	Roof Wire and Driver Side J/B (Lower Finish Panel)
1F	28	Floor No.2 Wire and Driver Side J/B (Lower Finish Panel)
1H	29	Instrument Panel Wire and Driver Side J/B (Lower Finish Panel)
1L	29	Relay Wire and Driver Side J/B (Lower Finish Panel)
2A	24	Engine Room J/B (Engine Compartment Left)
PA	36	Engine Wire and Instrument Panel J/B No.2 (Right Side of Glove Box)
PE	36	Instrument Panel Wire and Instrument Panel J/B No.2 (Right Side of Glove Box)
PF		

## : Connector Joining Wire Harness and Wire Harness

Code	See Page	Joining Wire Harness and Wire Harness (Connector Location)
EC1	52 (1GR-FE)	Engine Wire and Differential Wire (Near the Front Differential)
	53 (2TR-FE)	
IA3	54	Instrument Panel Wire and Engine Room Main Wire (Left Kick Panel)
IC1	54	Front Door LH Wire and Instrument Panel Wire (Left Kick Panel)
IC3		
ID2	54	Frame Wire and Instrument Panel Wire (Left Kick Panel)
IK3	55	Front Door RH Wire and Instrument Panel Wire (Right Kick Panel)
IL1	55	Instrument Panel Wire and Floor Wire (Right Kick Panel)
IL3		
BC2	56 (*1)	Frame No.2 Wire and Floor No.3 Wire (Floor Seat Cross Member RH)
	57 (*2)	
BD1	56 (*1)	Frame Wire and Differential Wire (Near the Rear Differential)
	57 (*2)	
	58 (*3)	
BE1	56 (*1)	Frame No.3 Wire and Frame Wire (Behind the Trailer Socket)
	57 (*2)	
BE2	56 (*1)	Frame No.3 Wire and Frame Wire (Behind the Trailer Socket)
	57 (*2)	
BF1	57 (*2)	Rear Door No.2 Wire and Floor No.2 Wire (Under the Left Quarter Panel)
BG1	57 (*2)	Rear Door No.1 Wire and Floor Wire (Under the Right Quarter Panel)
BH1	60 (*4)	Floor Wire and Seat No.1 Wire (Under the Front Passenger's Seat)
BI2	61 (*5)	Floor No.2 Wire and Seat No.1 Wire (Under the Front Seat LH)
BJ2	61 (*5)	Floor Wire and Seat No.1 Wire (Under the Front Seat RH)

\* 1 : Double Cab    \* 2 : Access Cab    \* 3 : Regular Cab    \* 4 : Separate Seat    \* 5 : Bench Seat



## : Ground Points

Code	See Page	Ground Points Location
EA	52 (1GR-FE)	Front Right Fender
	53 (2TR-FE)	
EB	52 (1GR-FE)	Front Left Fender
	53 (2TR-FE)	
EC	52 (1GR-FE)	Near the Front Differential
ED	52 (1GR-FE)	Rear Side of Right Bank Cylinder Block
EE		
EF	52 (1GR-FE)	Rear Side of Left Bank Cylinder Block
EG	53 (2TR-FE)	Rear Side of Cylinder Block
EH		
IA	54	Left Kick Panel
IB	54	Instrument Panel Brace LH
IC	54	Instrument Panel Brace RH
ID		
IE	54	Right Kick Panel
BA	56 (*1)	Floor Seat Cross Member LH
	57 (*2)	
	58 (*3)	
BB	56 (*1)	Floor Seat Cross Member RH
	57 (*2)	
	58 (*3)	
BC	56 (*1)	Near the Voltage Inverter
	57 (*2)	
BD	56 (*1)	Near the Rear Differential
	57 (*2)	
	58 (*3)	
BE	57 (*2)	Inside of the Access Door LH
BF	57 (*2)	Inside of the Access Door RH

\* 1 : Double Cab    \* 2 : Access Cab    \* 3 : Regular Cab    \* 4 : Separate Seat    \* 5 : Bench Seat